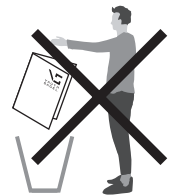
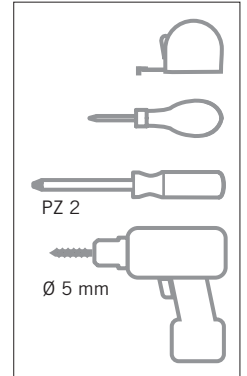
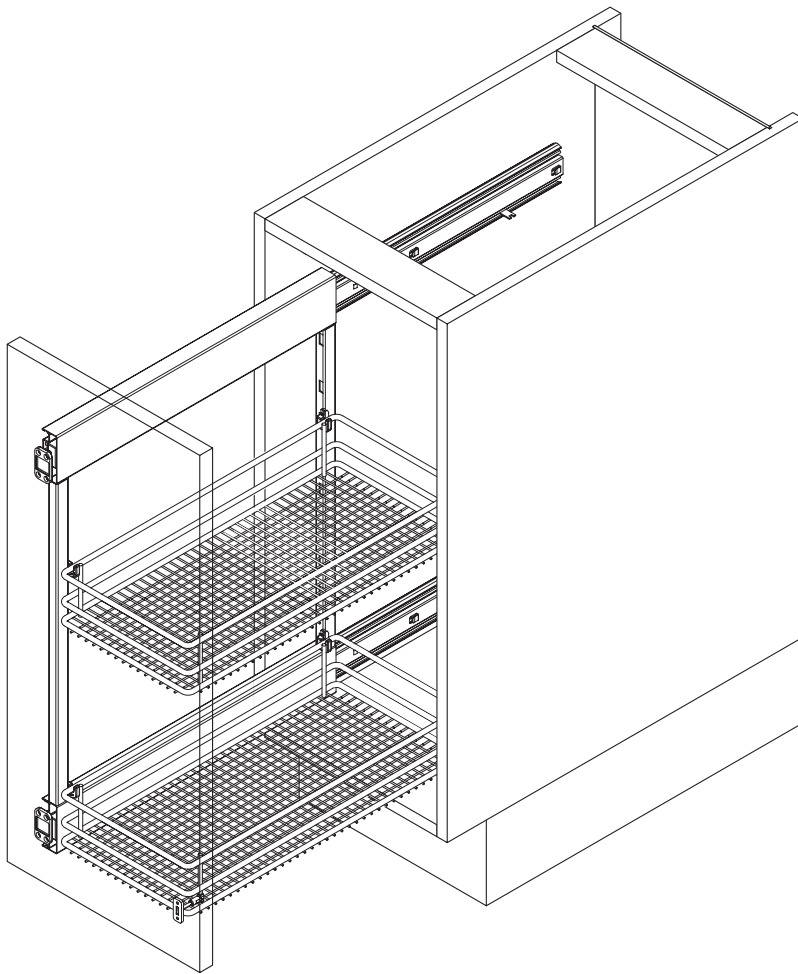


VS SUB[®] Side

VS TAL[®] Side

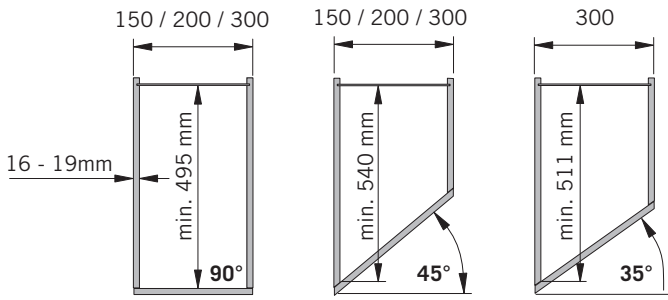


Zuladung System:
System payload capacity:



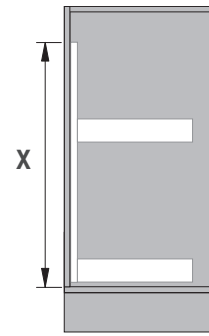
VS SUB[®] Side 1-4 = max. 20 kg
VS TAL[®] Side 5-8 = max. 40 kg

KORPUSMASSE CABINET DIMENSIONS



Aufansicht/Top view

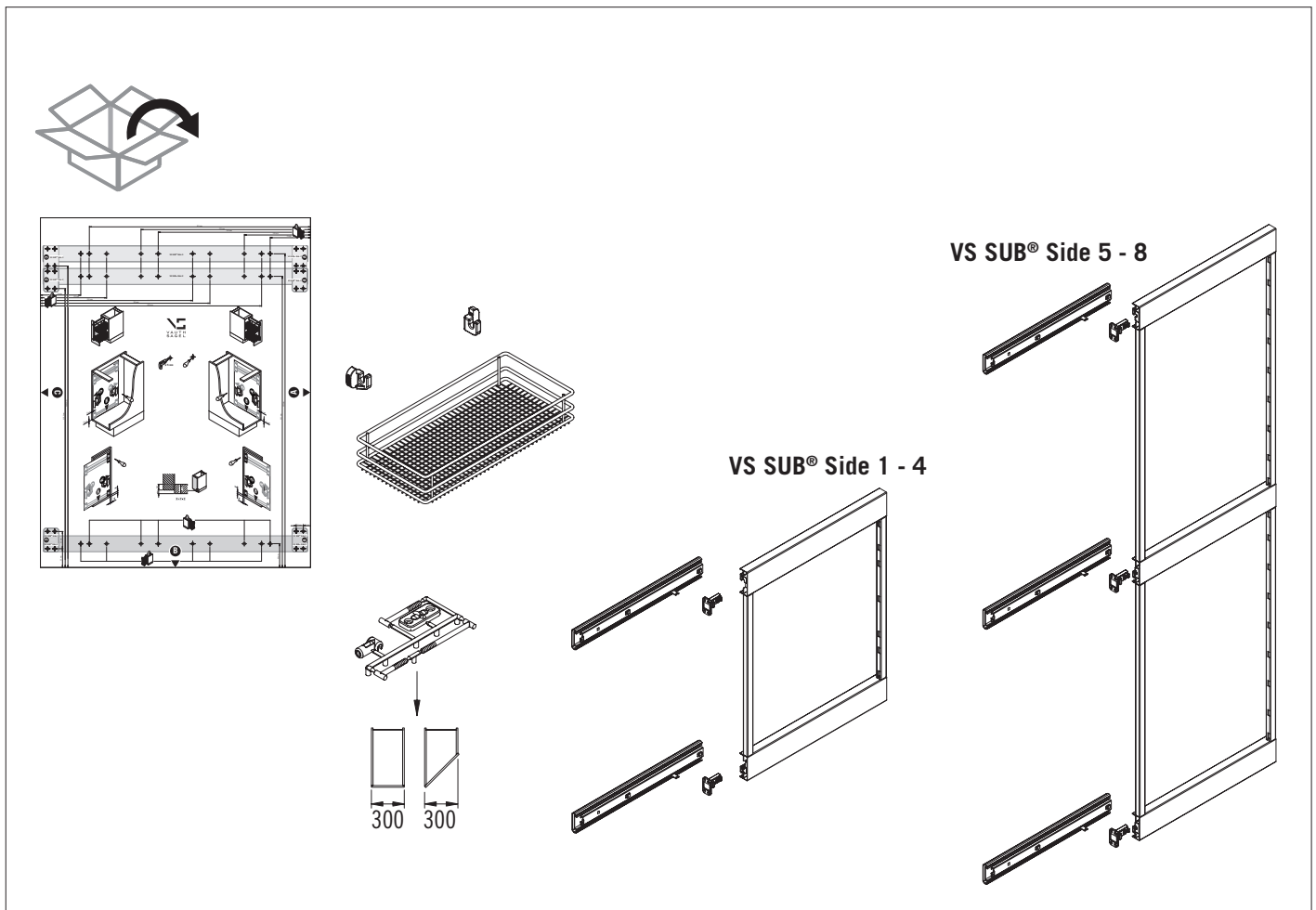
Einbauhöhe:
Installation height:



Vorderansicht/Front view

VS SUB® Side	Einbaumaße, Höhen Installation dimensions, heights X	Anzahl Körbe Amount baskets
VS SUB® Side 1	485 mm	2
VS SUB® Side 2	577 mm	2
VS SUB® Side 3	619 mm	2
VS SUB® Side 4	741 mm	3

VS TAL® Side	Einbaumaße, Höhen Installation dimensions, heights X	Anzahl Körbe Amount baskets
VS TAL® Side 5	1222 mm	4 (3 Führungen/3 runners)
VS TAL® Side 7	1602 mm	5 (3 Führungen/3 runners)
VS TAL® Side 8	1824 mm	6 (3 Führungen/3 runners)

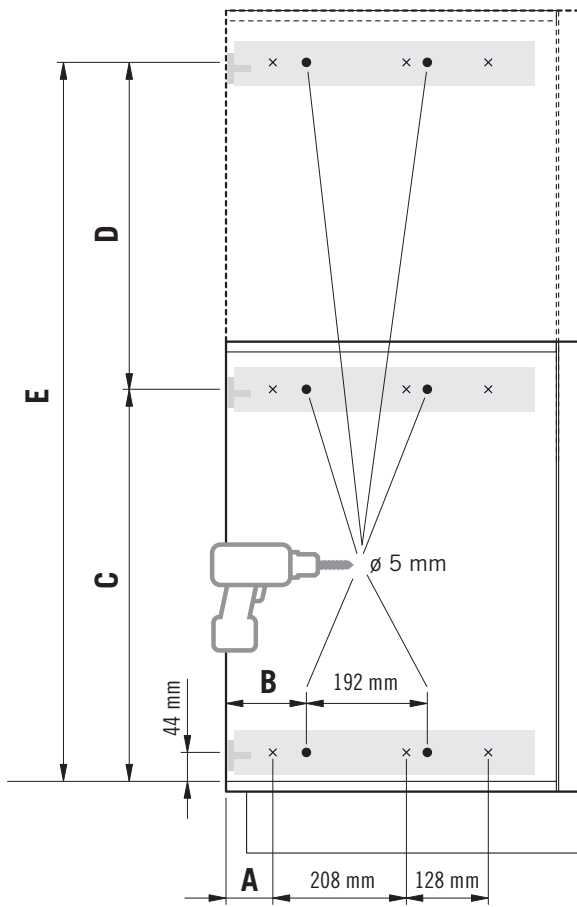
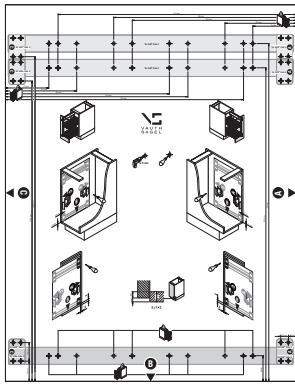


1

A

B

C

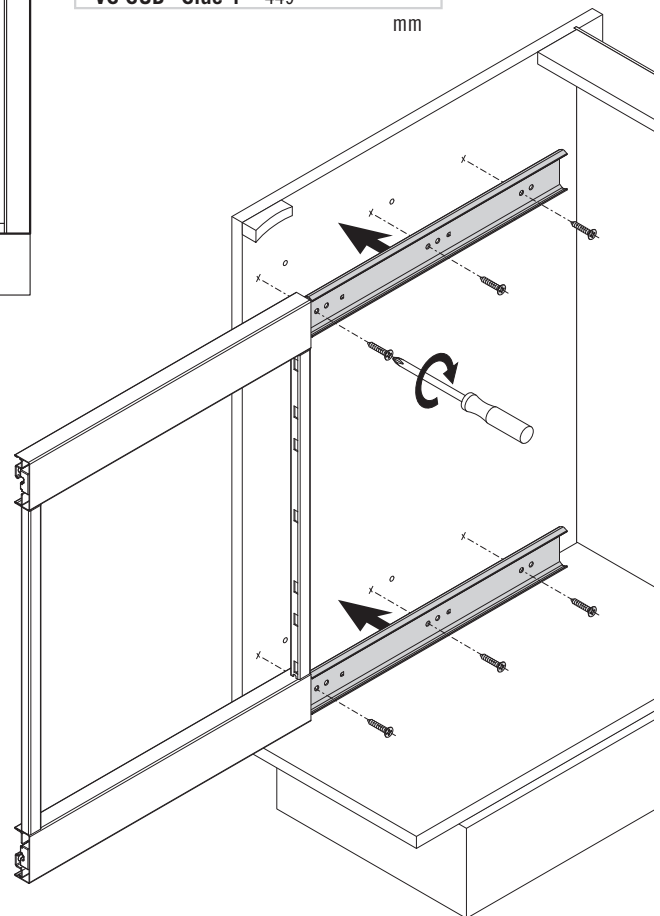
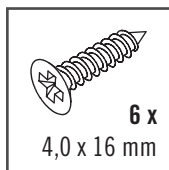


	A	B
90°	75	123
50°	111	159
45°	103	151
40°	98	146
35°	91	139
30°	85	133

mm

	C	D	E
VS TAL® Side 8	916	872	1788
VS TAL® Side 7	805	761	1566
VS TAL® Side 5	615	571	1186
VS SUB® Side 4	705		
VS SUB® Side 3	583		
VS SUB® Side 2	541		
VS SUB® Side 1	449		

mm

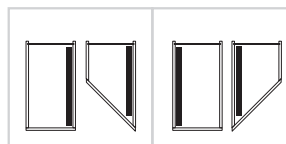
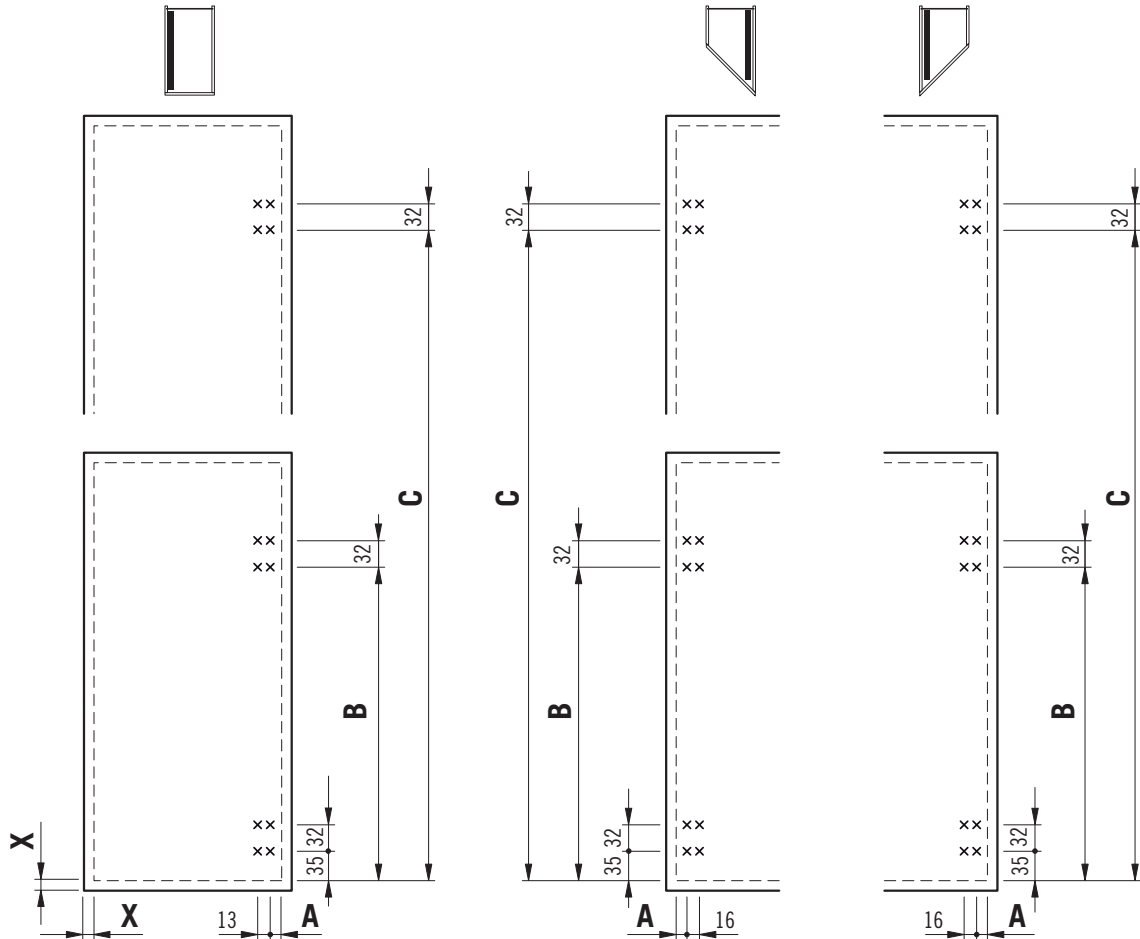
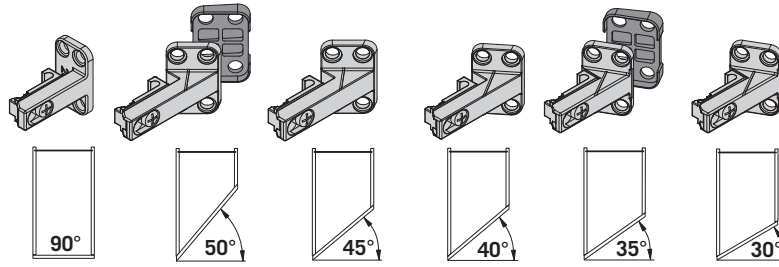


2

A

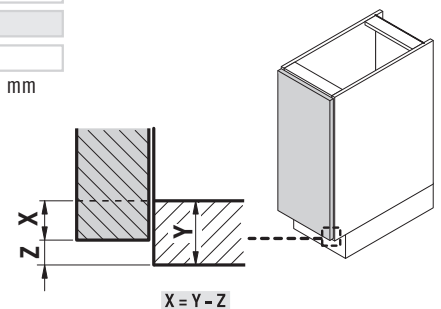
B

C

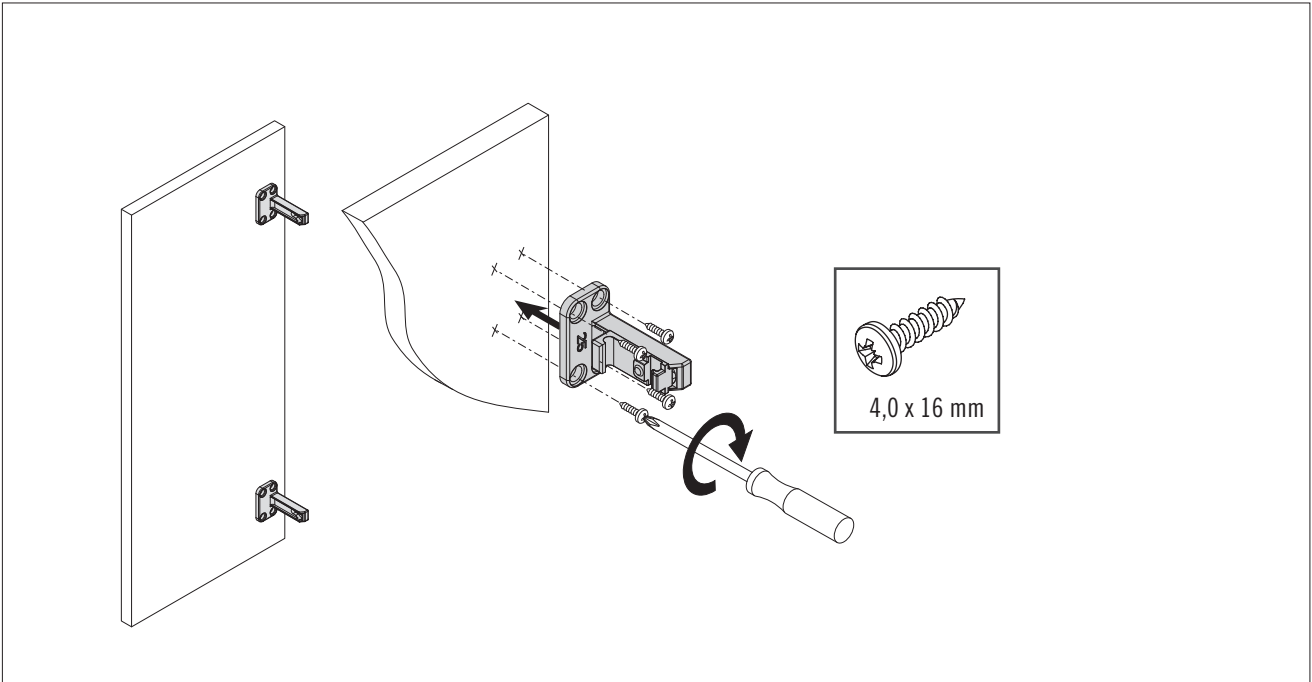


	A	B	B	C	
90°	14	VS TAL® Side 8	894	907	1766
50°	28	VS TAL® Side 7	783	796	1544
45°	22	VS TAL® Side 5	593	606	1164
40°	20	VS SUB® Side 4	683		
35°	20	VS SUB® Side 3	561		
30°	17	VS SUB® Side 2	519		
	mm	VS SUB® Side 1	427		

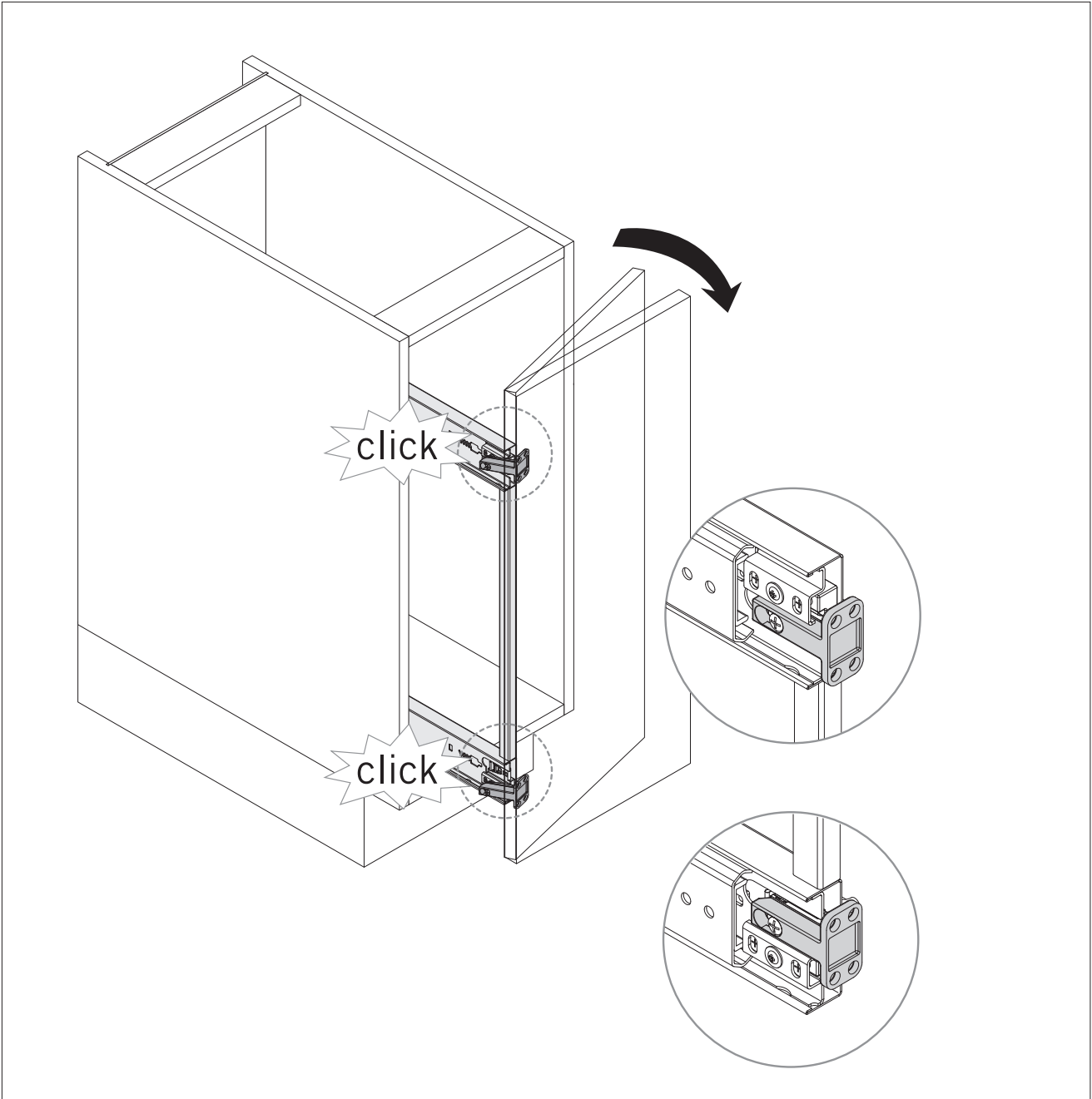
mm



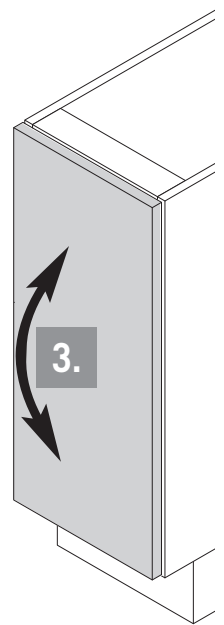
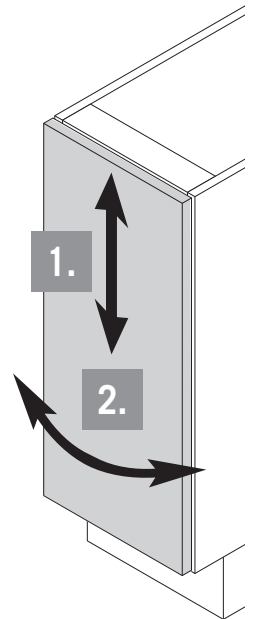
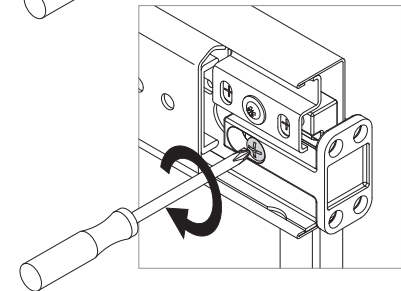
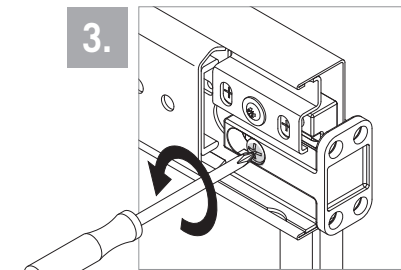
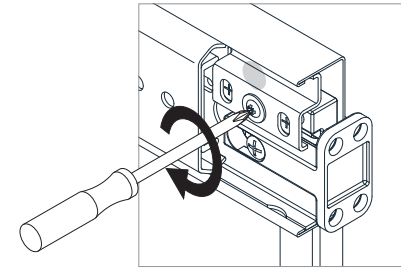
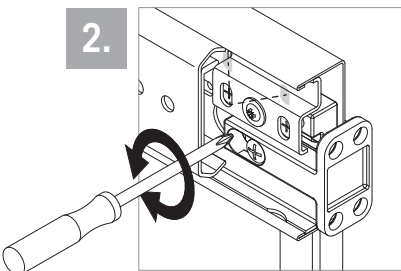
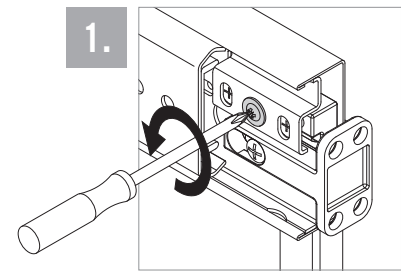
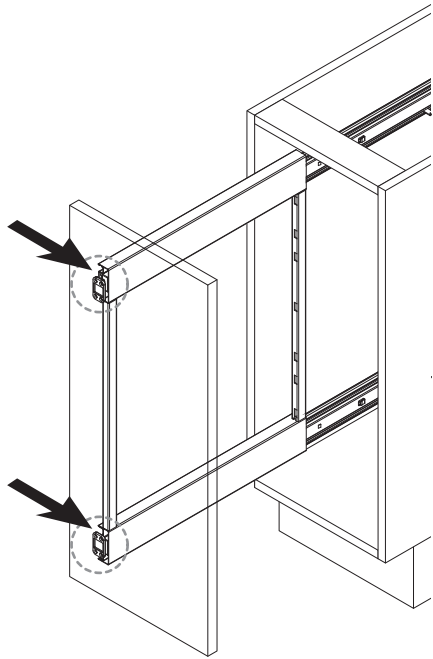
2

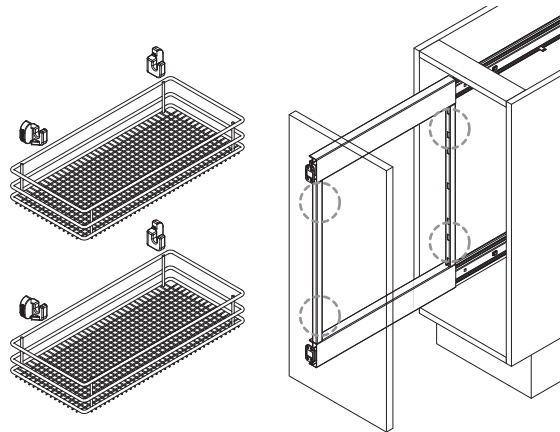


3

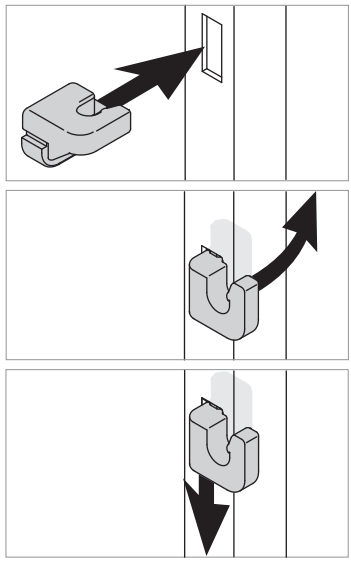


4

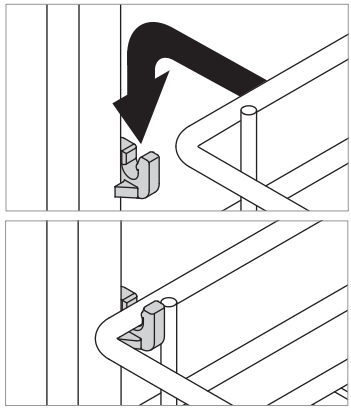




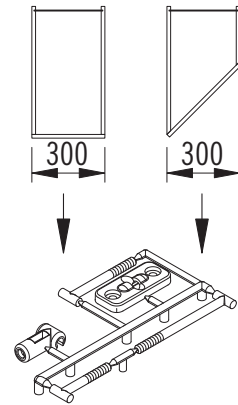
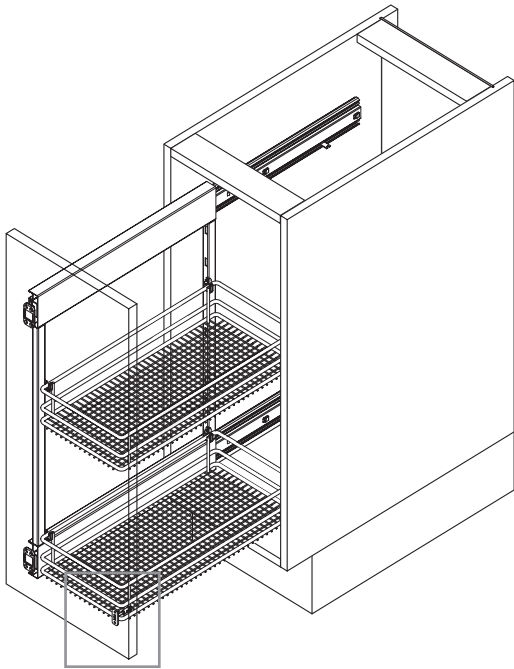
5.1



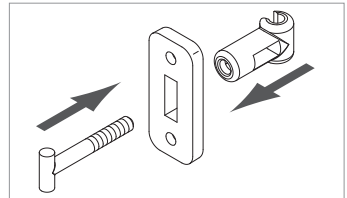
5.2



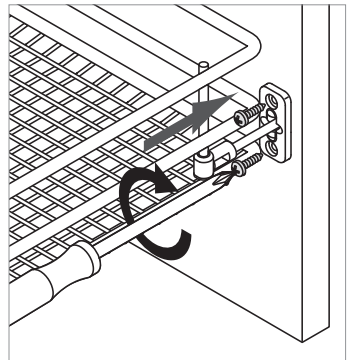
6



6.1



6.2



6.3

