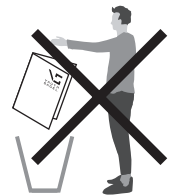
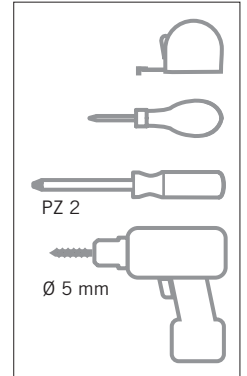
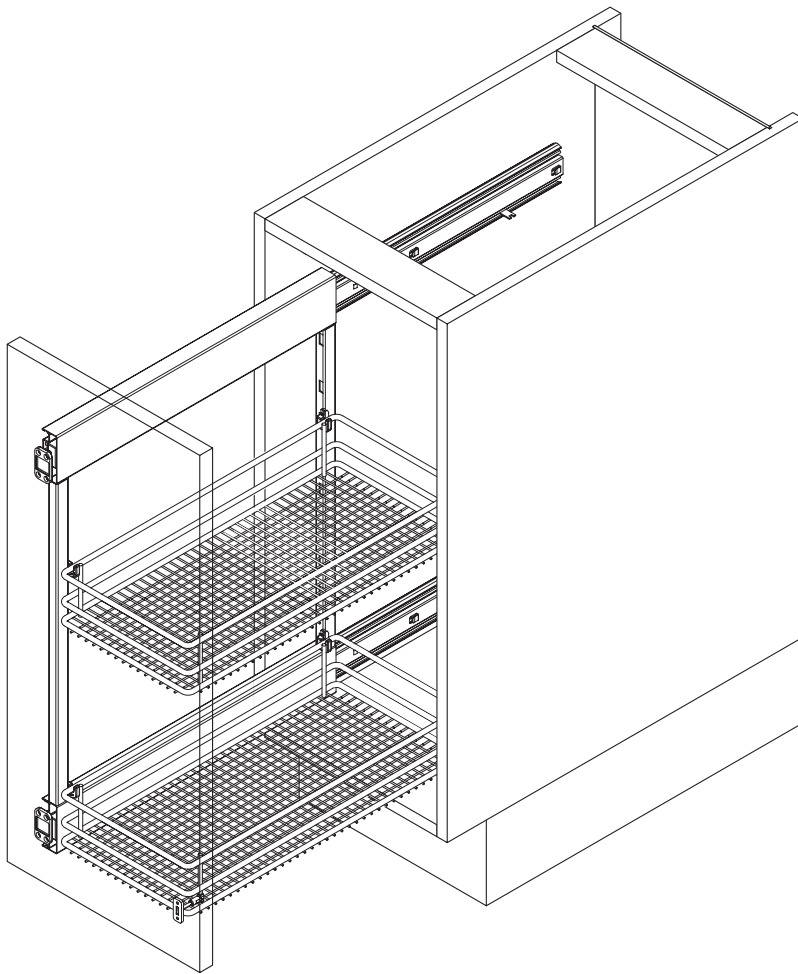


# VS SUB<sup>®</sup> Side VS TAL<sup>®</sup> Side

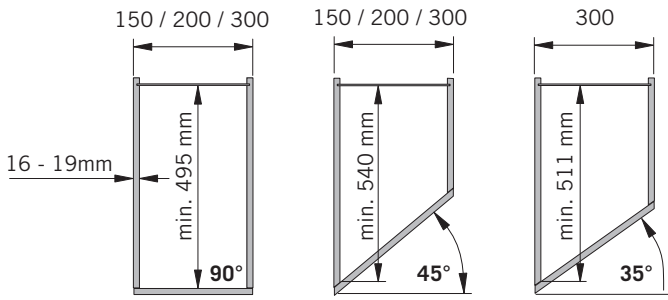


Zuladung System:  
System payload capacity:



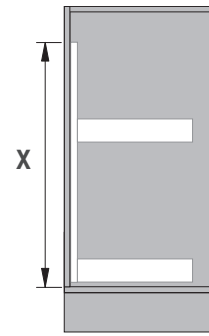
VS SUB<sup>®</sup> Side 1-4 = max. 20 kg  
VS TAL<sup>®</sup> Side 5-8 = max. 40 kg

# KORPUSMASSE CABINET DIMENSIONS



Aufansicht/Top view

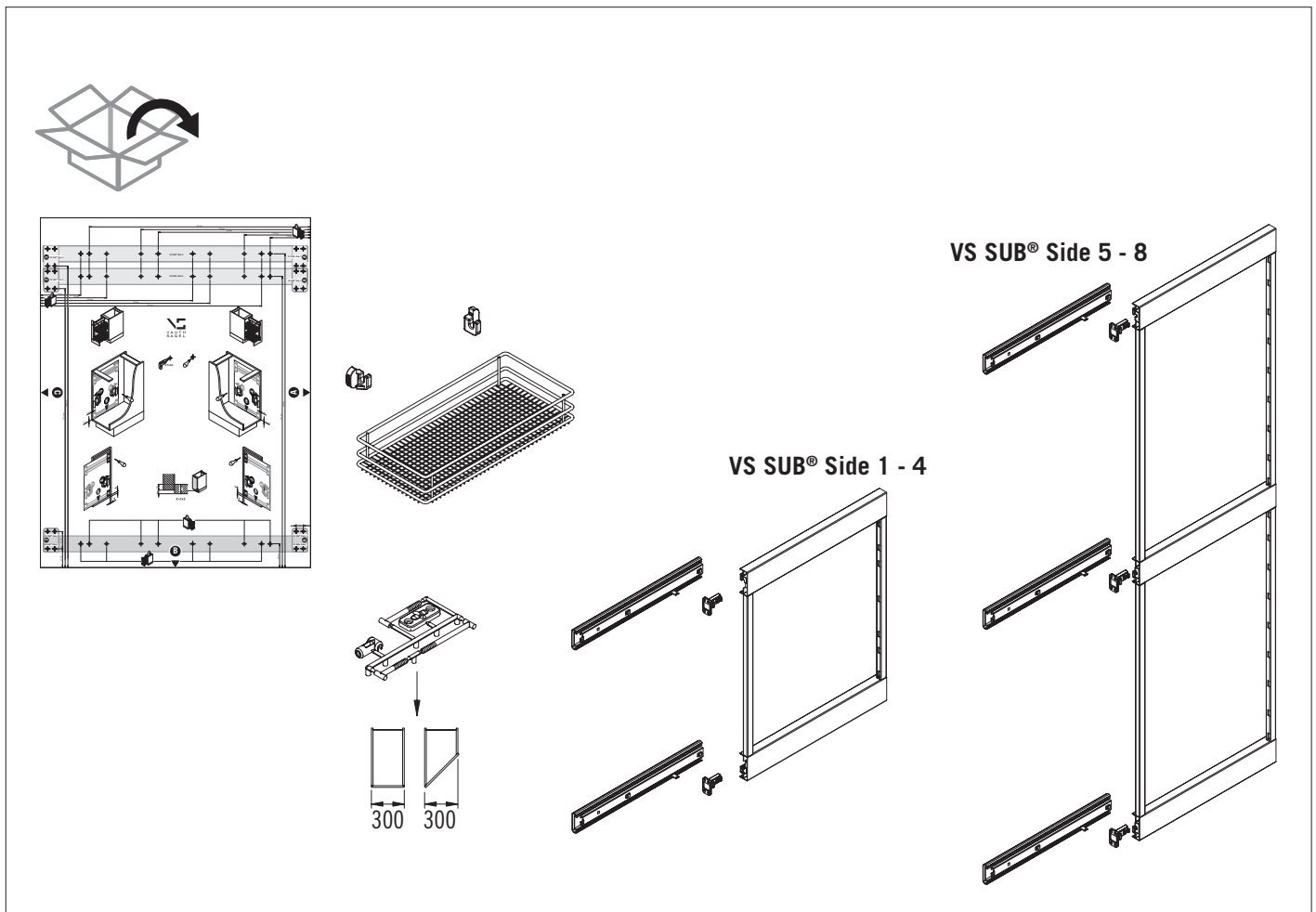
Einbauhöhe:  
Installation height:



Vorderansicht/Front view

VS SUB® Side	Einbaumaße, Höhen Installation dimensions, heights X	Anzahl Körbe Amount baskets
VS SUB® Side 1	485 mm	2
VS SUB® Side 2	577 mm	2
VS SUB® Side 3	619 mm	2
VS SUB® Side 4	741 mm	3

VS TAL® Side	Einbaumaße, Höhen Installation dimensions, heights X	Anzahl Körbe Amount baskets
VS TAL® Side 5	1222 mm	4 (3 Führungen/3 runners)
VS TAL® Side 7	1602 mm	5 (3 Führungen/3 runners)
VS TAL® Side 8	1824 mm	6 (3 Führungen/3 runners)

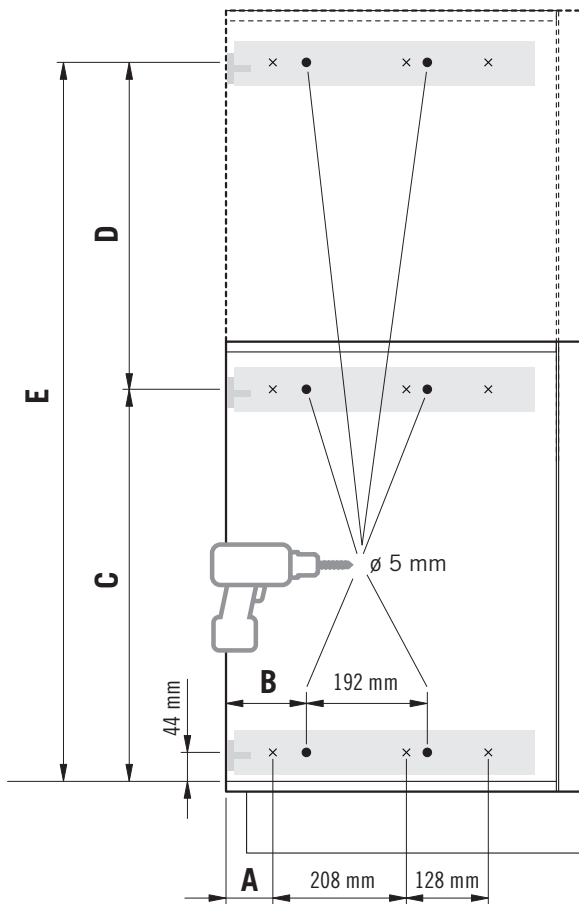
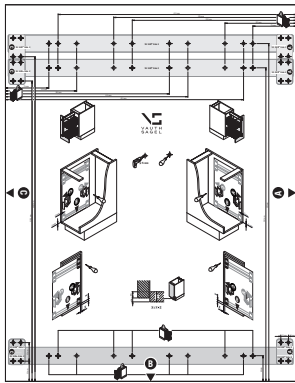


1

A

B

C

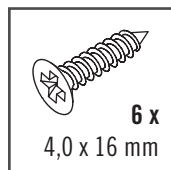
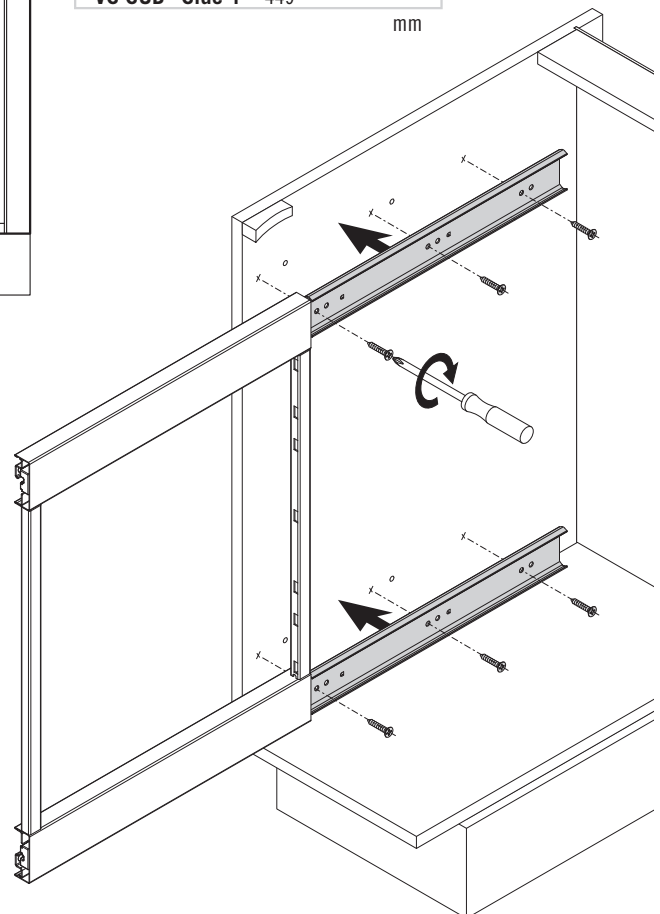


	A	B
90°	75	123
50°	111	159
45°	103	151
40°	98	146
35°	91	139
30°	85	133

mm

	C	D	E
VS TAL® Side 8	916	872	1788
VS TAL® Side 7	805	761	1566
VS TAL® Side 5	615	571	1186
VS SUB® Side 4	705		
VS SUB® Side 3	583		
VS SUB® Side 2	541		
VS SUB® Side 1	449		

mm

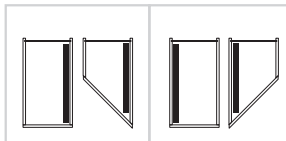
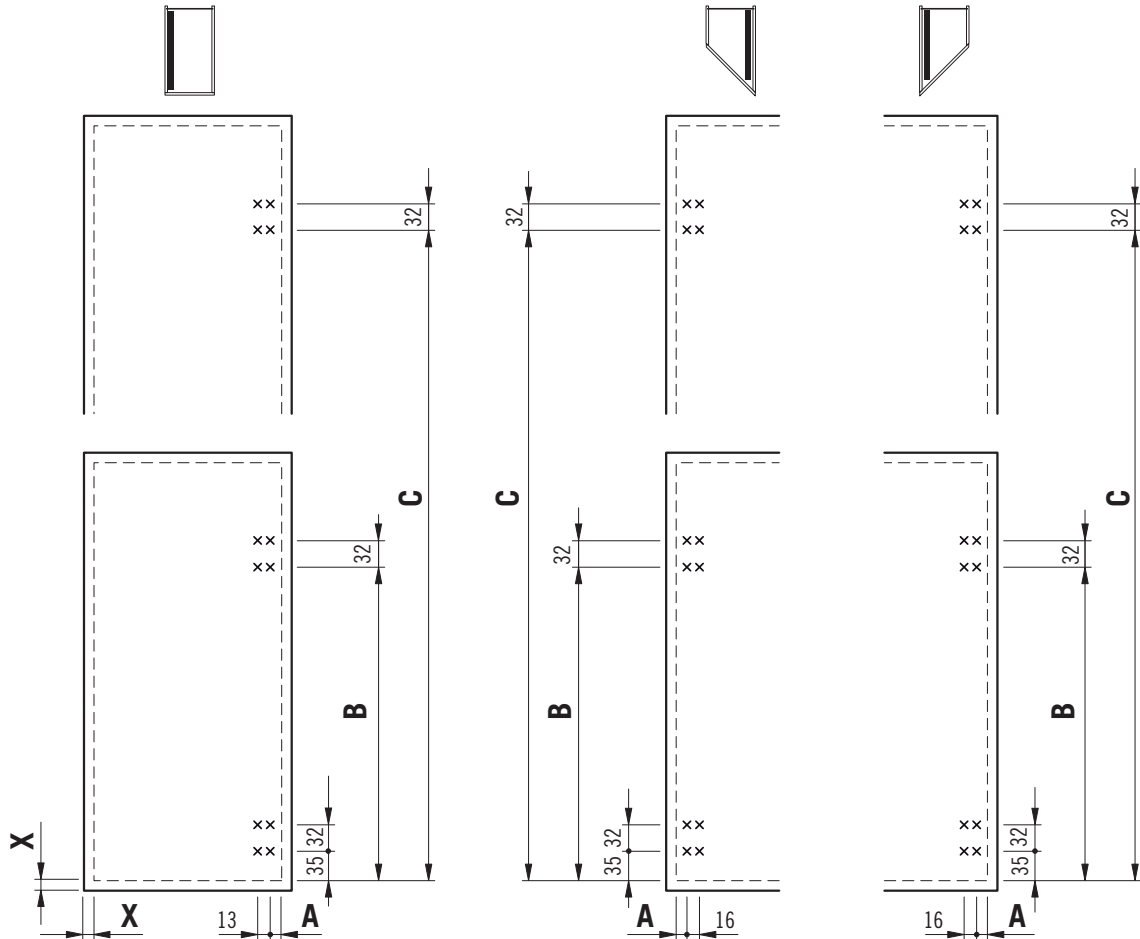
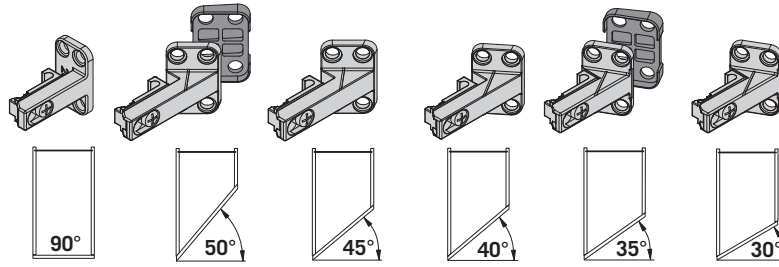


**2**

**A**

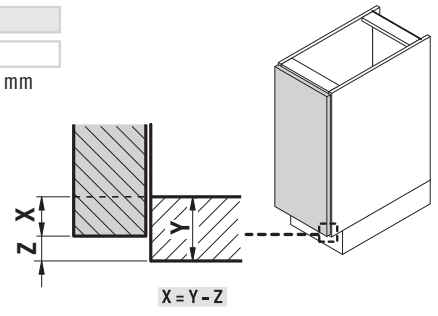
**B**

**C**



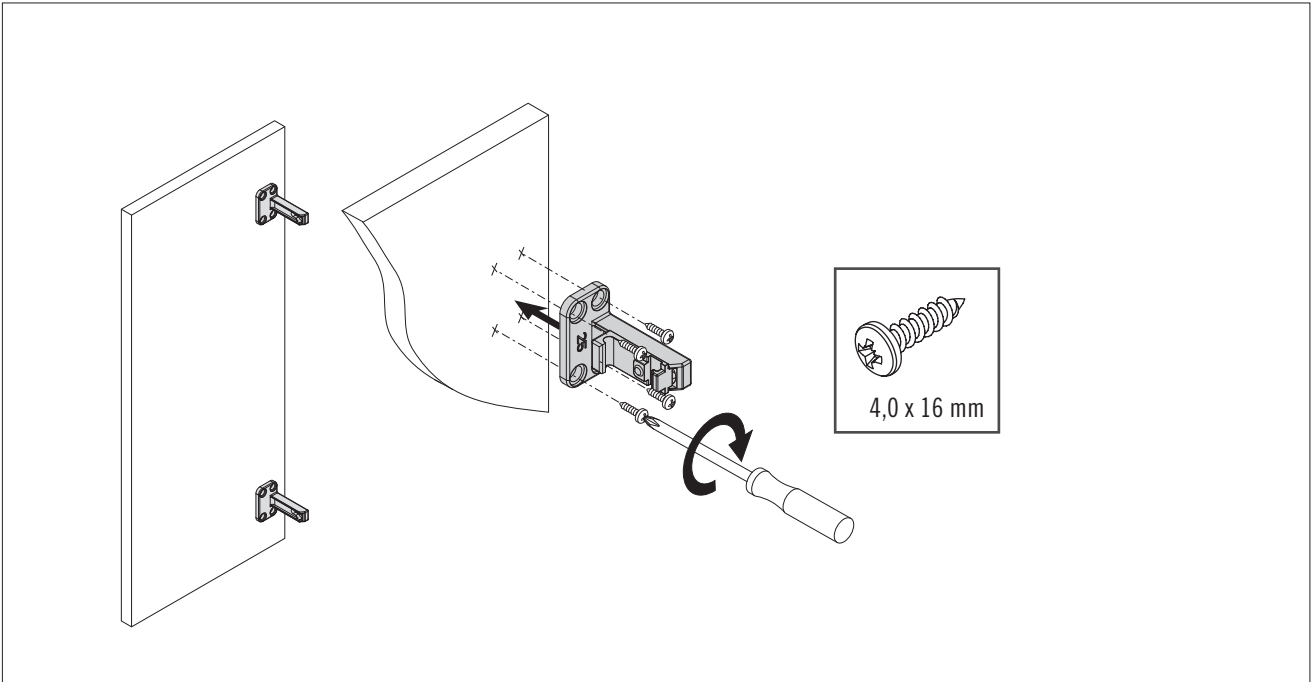
	<b>A</b>	<b>B</b>	<b>B</b>	<b>C</b>	
90°	14	<b>VS TAL® Side 8</b>	894	907	1766
50°	28	<b>VS TAL® Side 7</b>	783	796	1544
45°	22	<b>VS TAL® Side 5</b>	593	606	1164
40°	20	<b>VS SUB® Side 4</b>	683		
35°	20	<b>VS SUB® Side 3</b>	561		
30°	17	<b>VS SUB® Side 2</b>	519		
	mm	<b>VS SUB® Side 1</b>	427		

mm

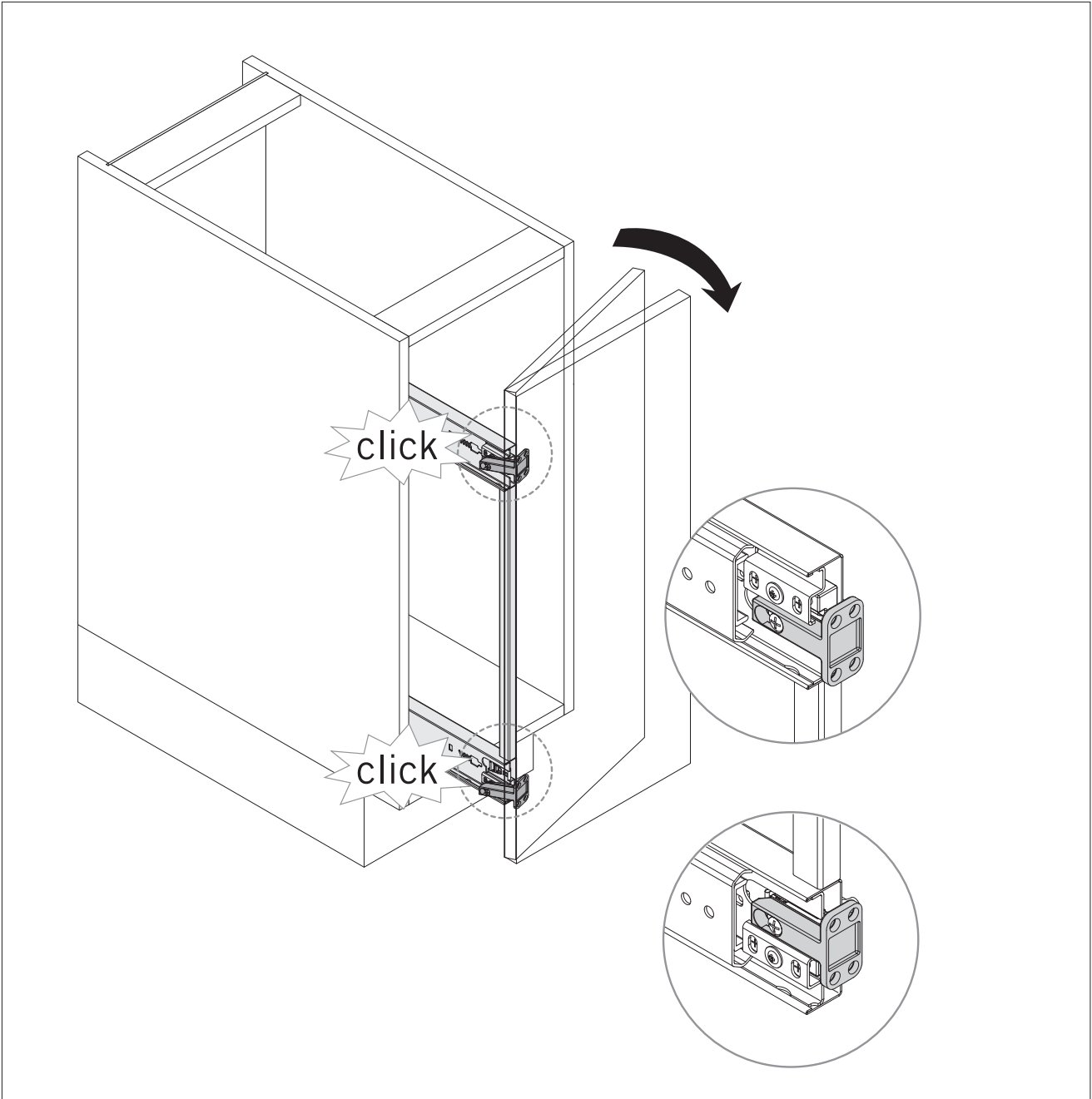


$X = Y - Z$

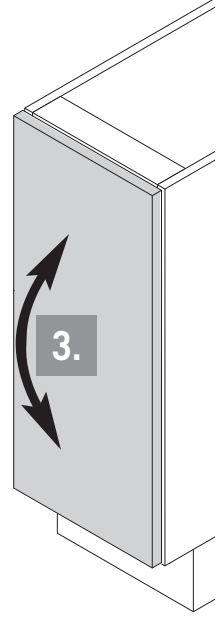
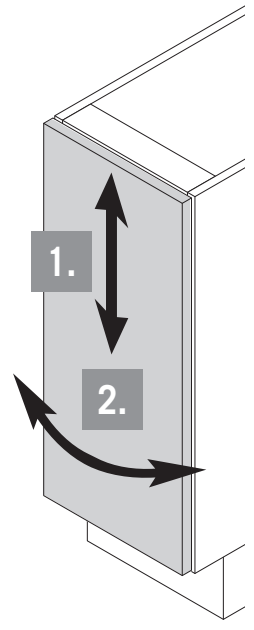
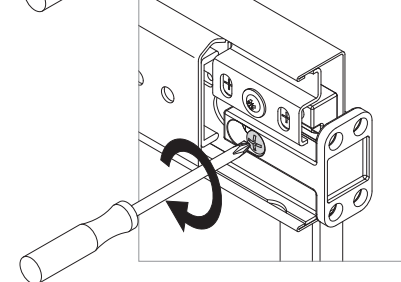
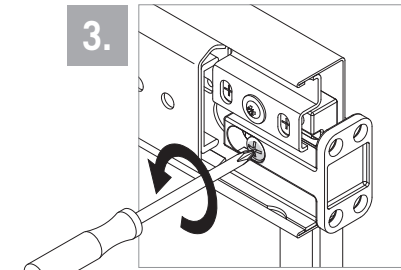
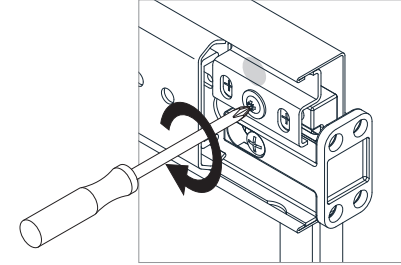
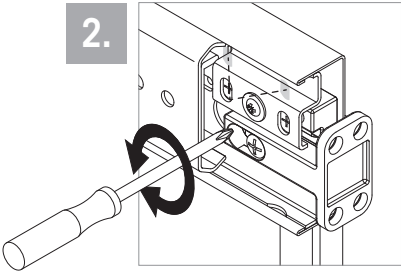
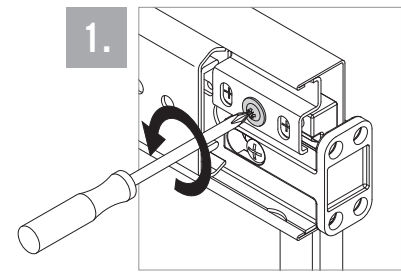
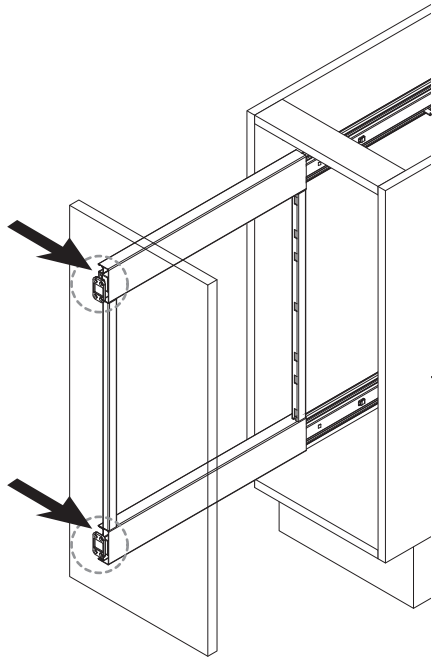
2

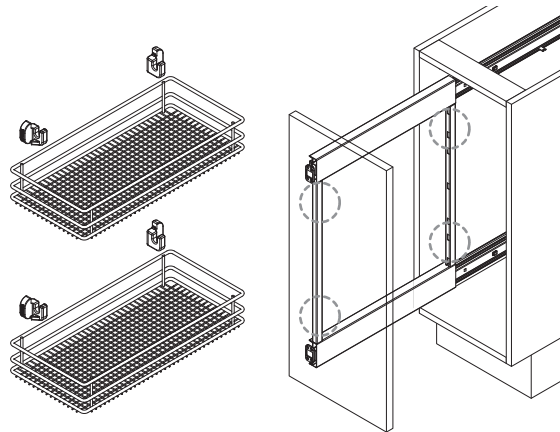


3

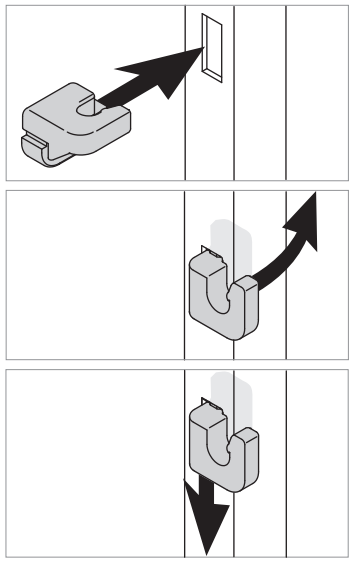


4

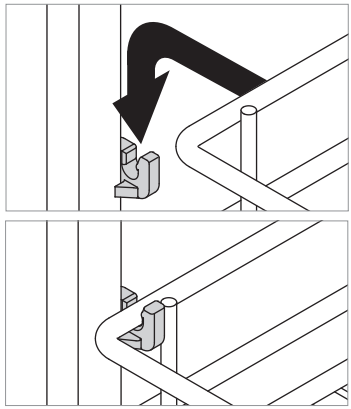




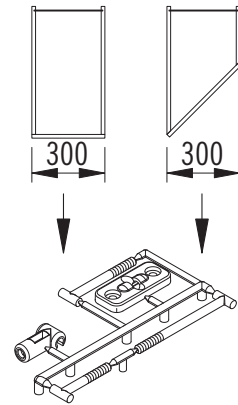
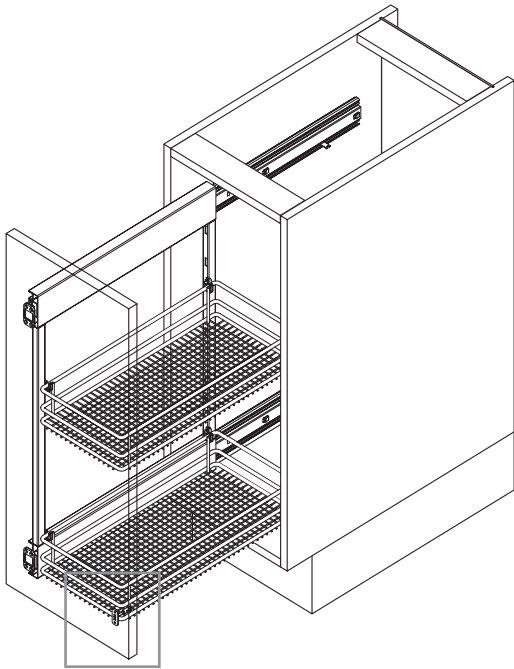
5.1



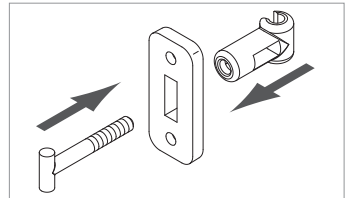
5.2



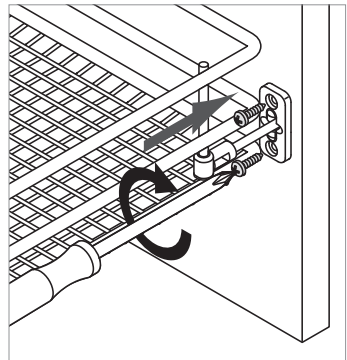
6



6.1



6.2



6.3

