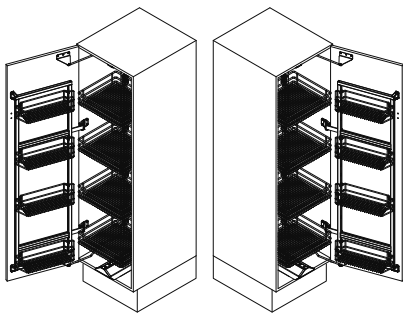
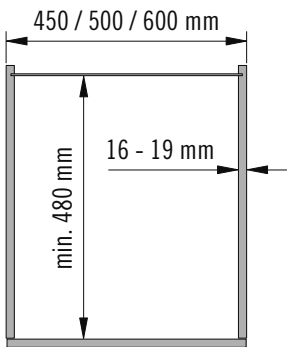
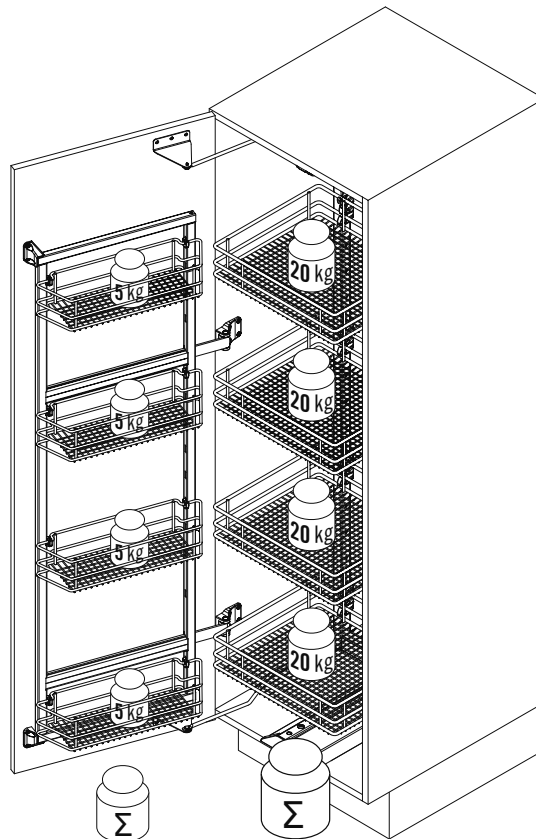


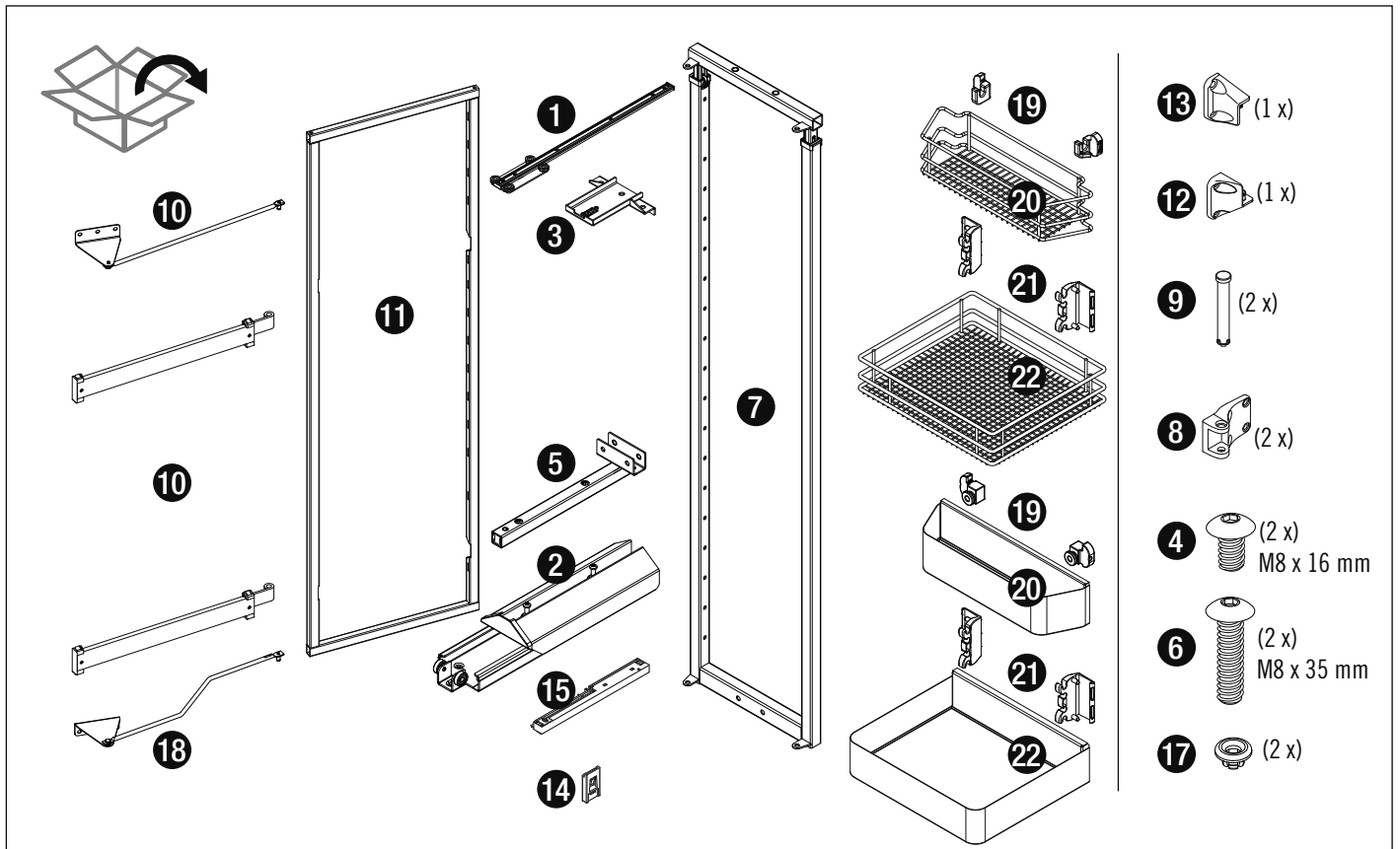
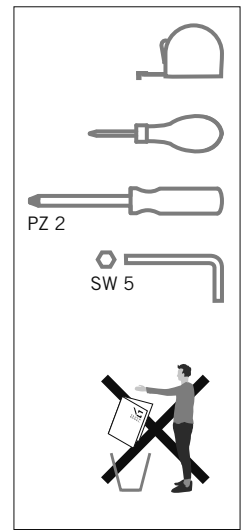
# VS TAL<sup>®</sup> Gate Pro

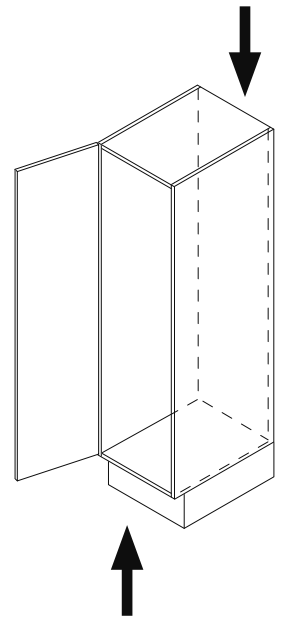
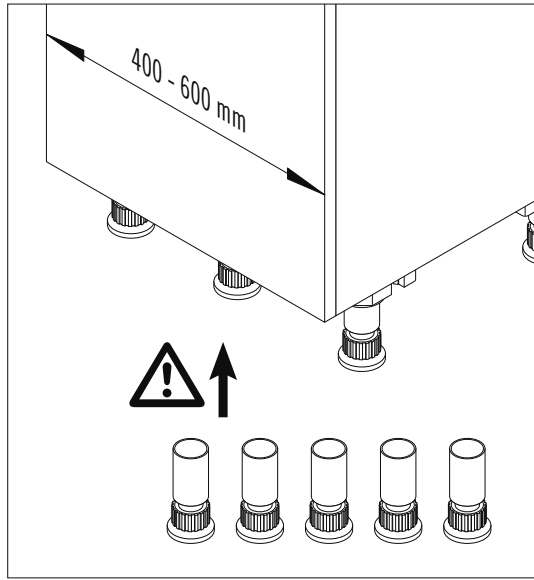
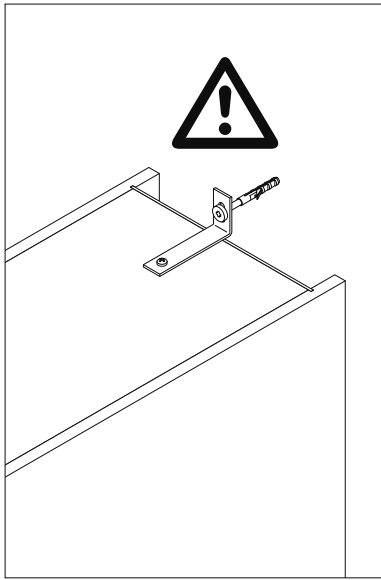


L + R



$\Sigma$  = max. 20 kg       $\Sigma$  = max. 80 kg





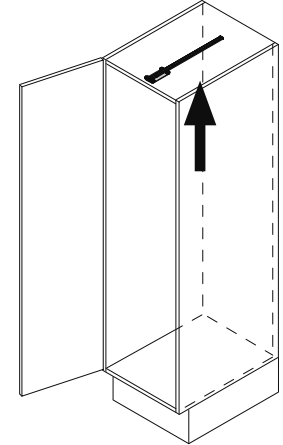
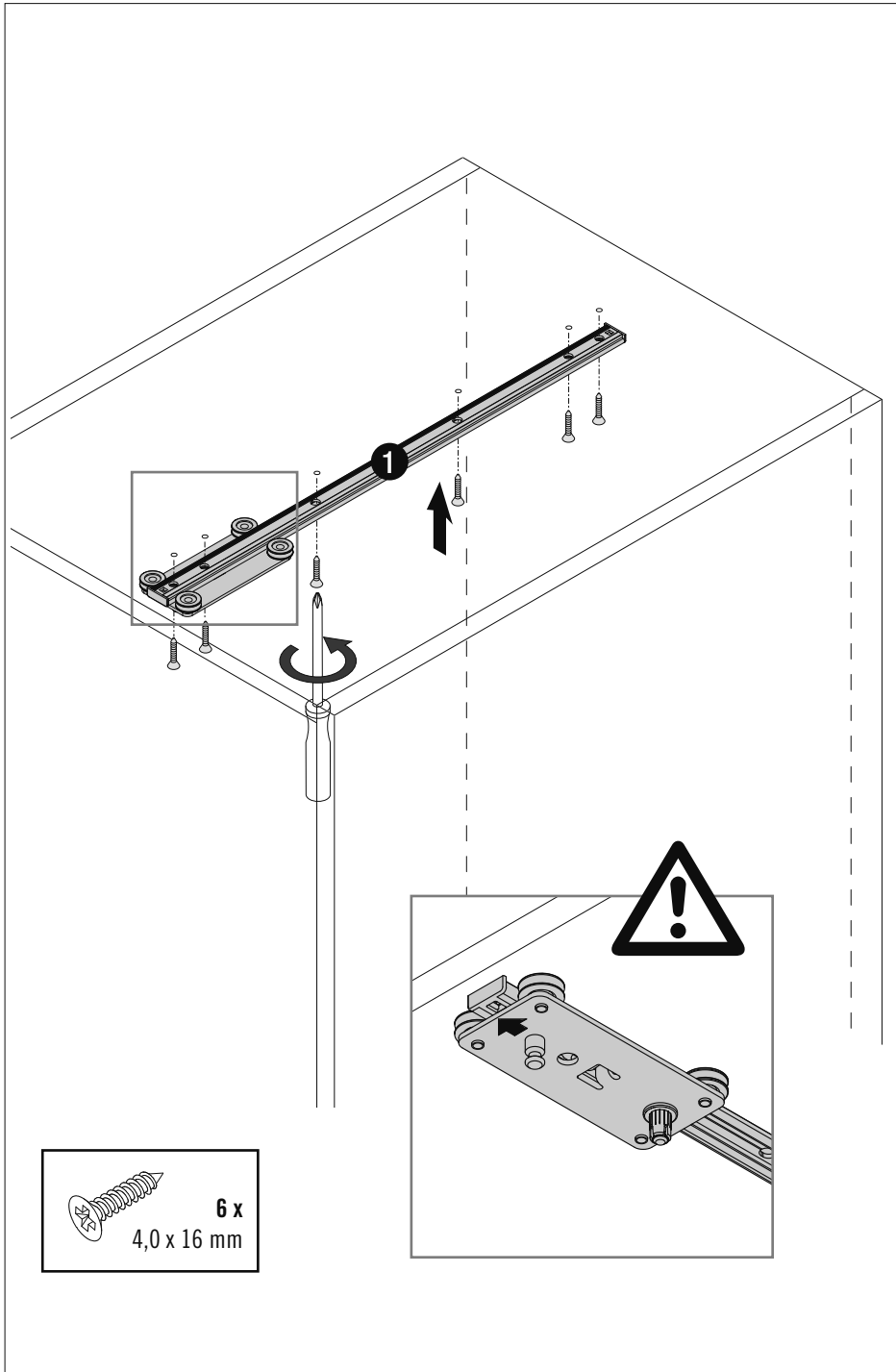
**1**



**A**



(PZ 2)



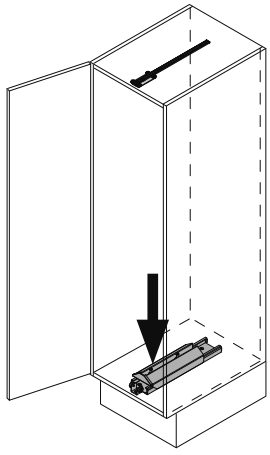
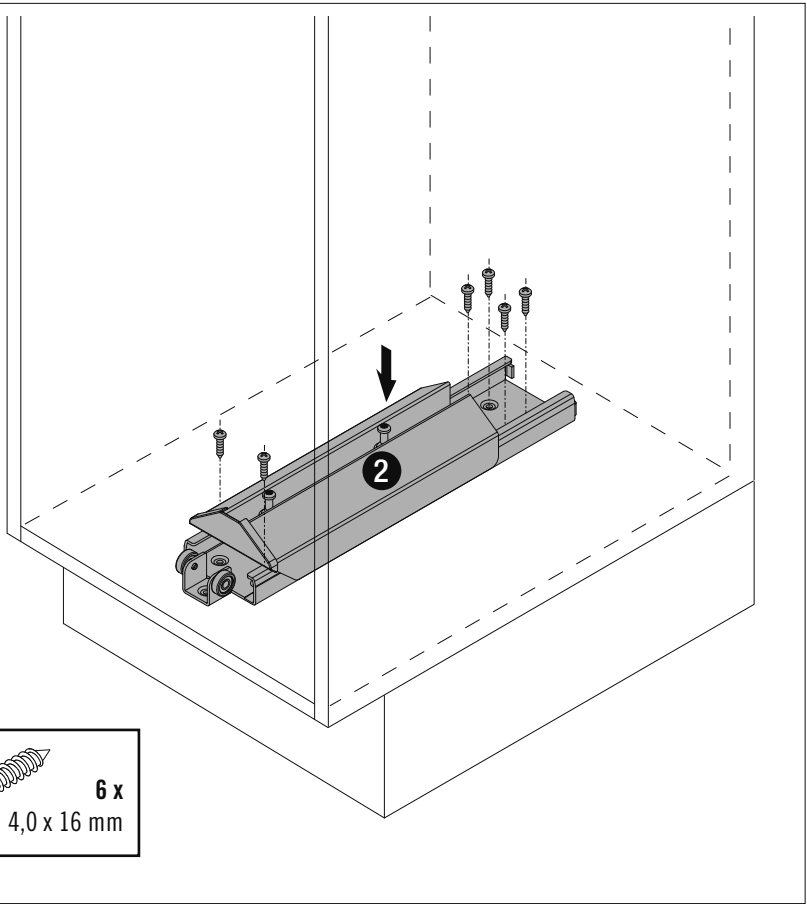
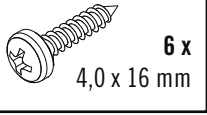
2



B



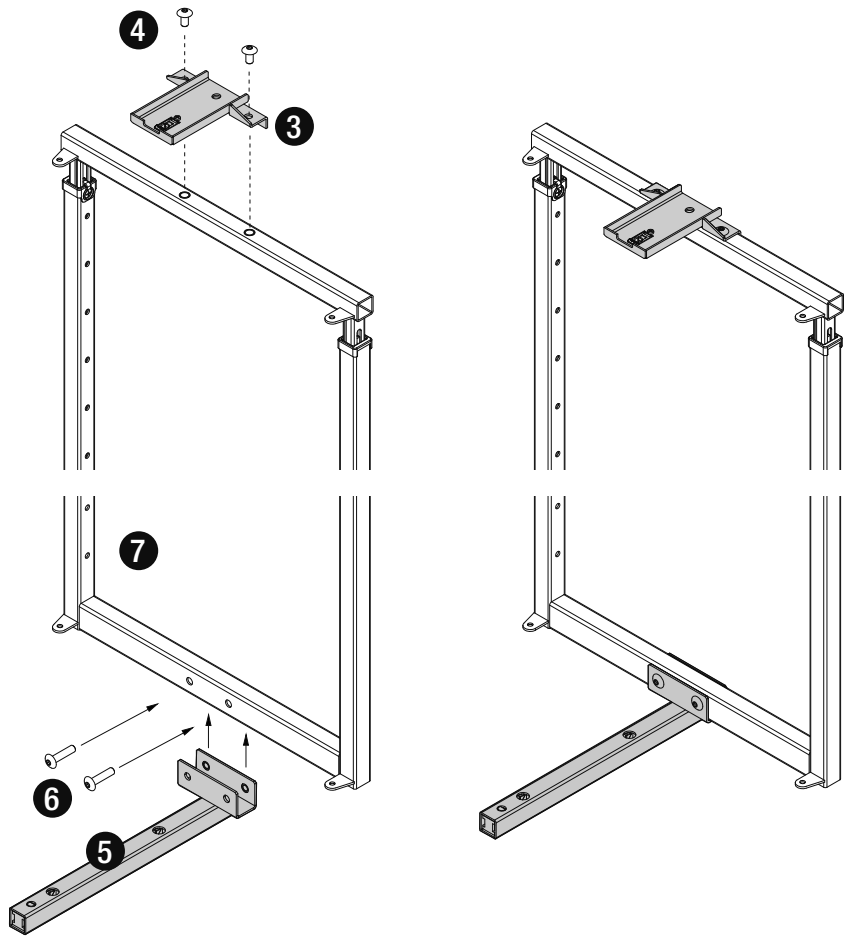
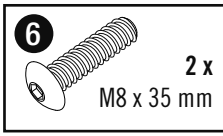
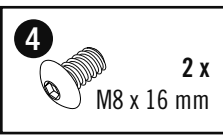
(PZ 2)



3



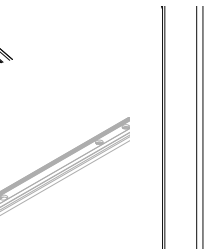
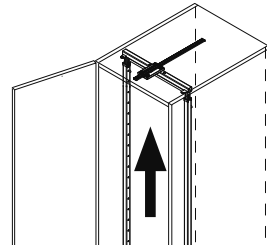
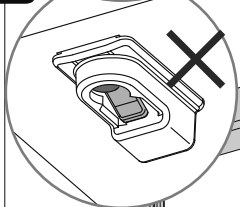
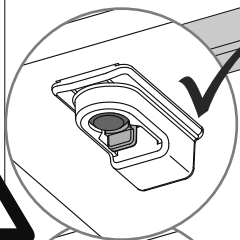
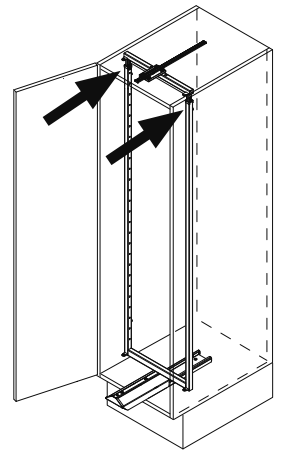
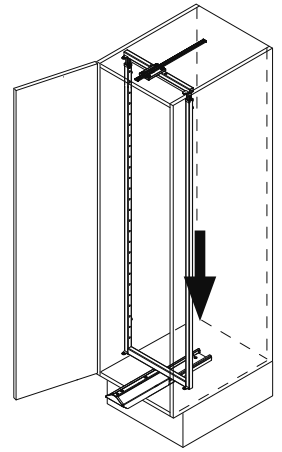
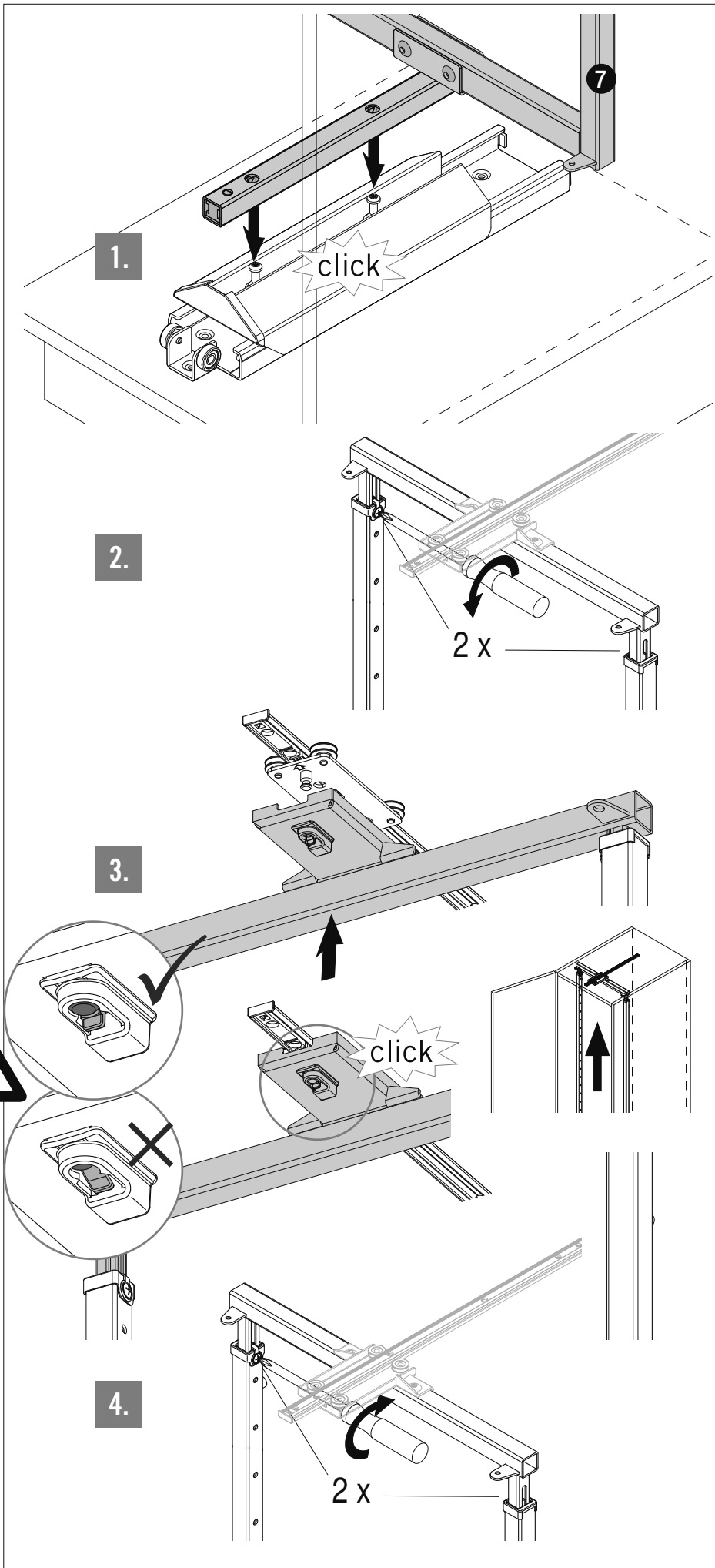
SW 5



4



(PZ 2)



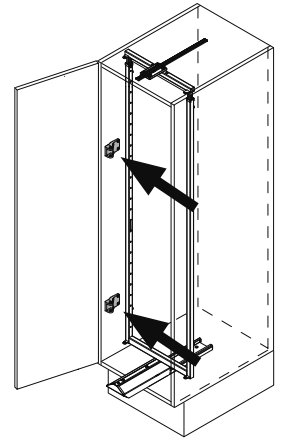
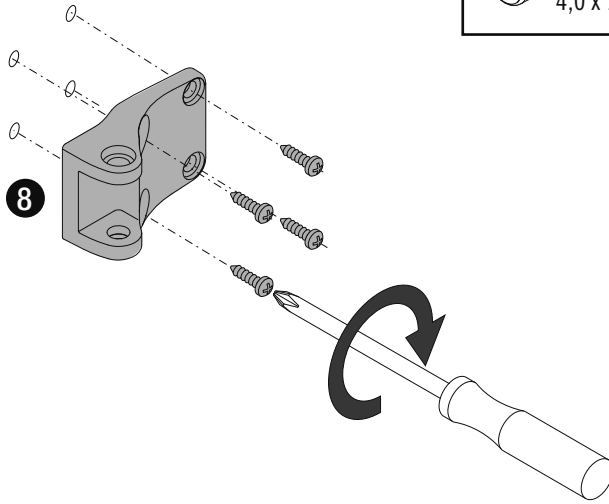
5



C



(PZ 2)

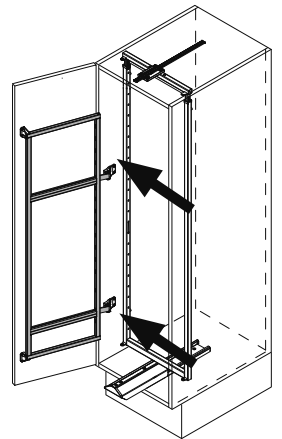
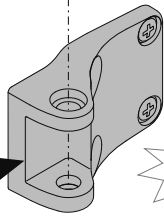
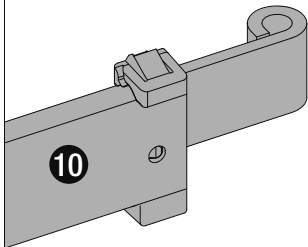


6

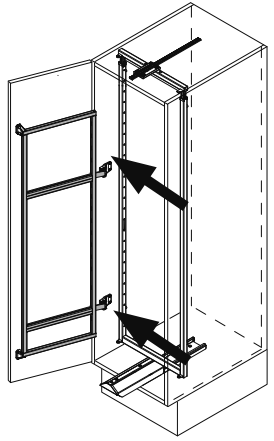
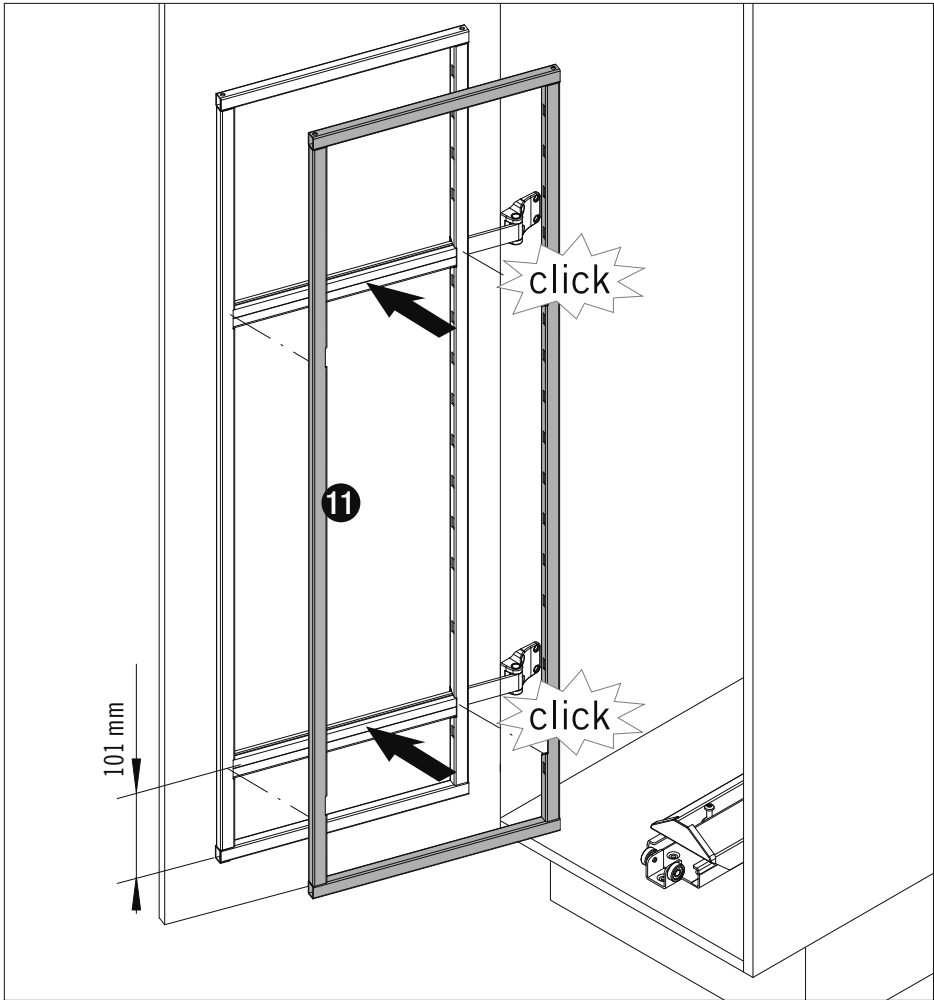


9

click



7



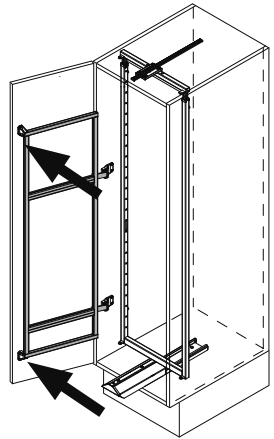
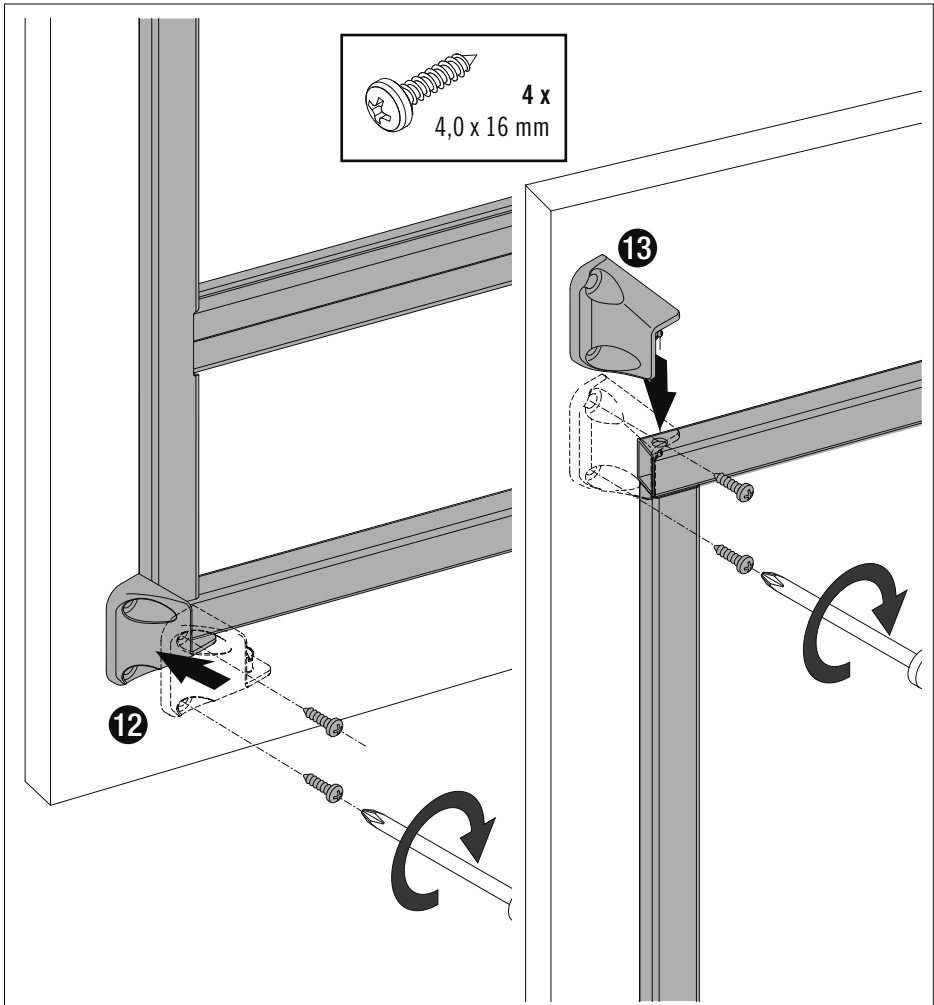
8



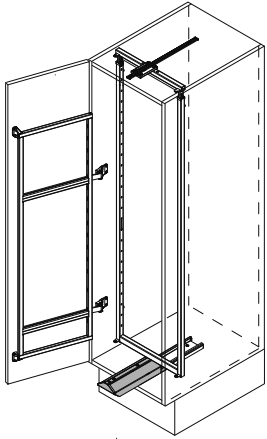
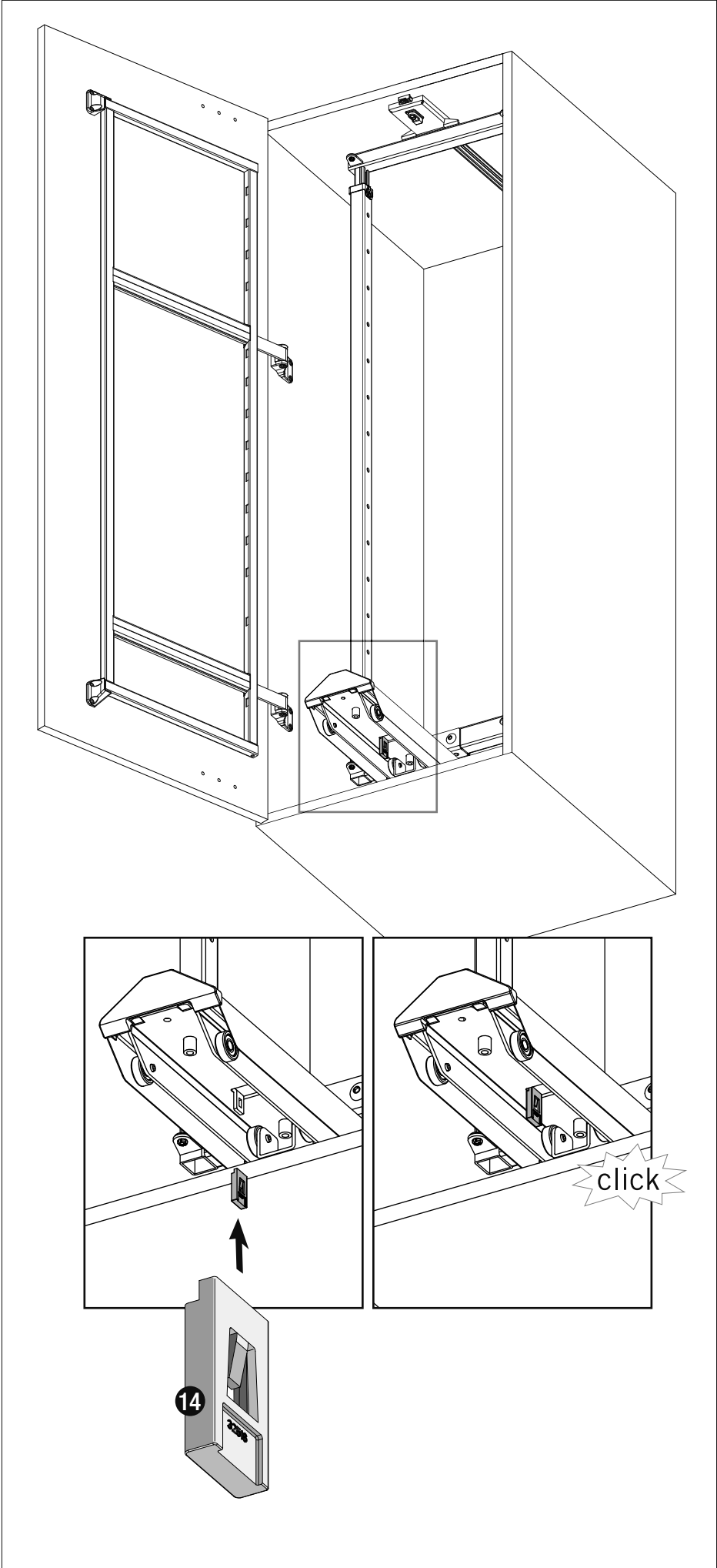
D



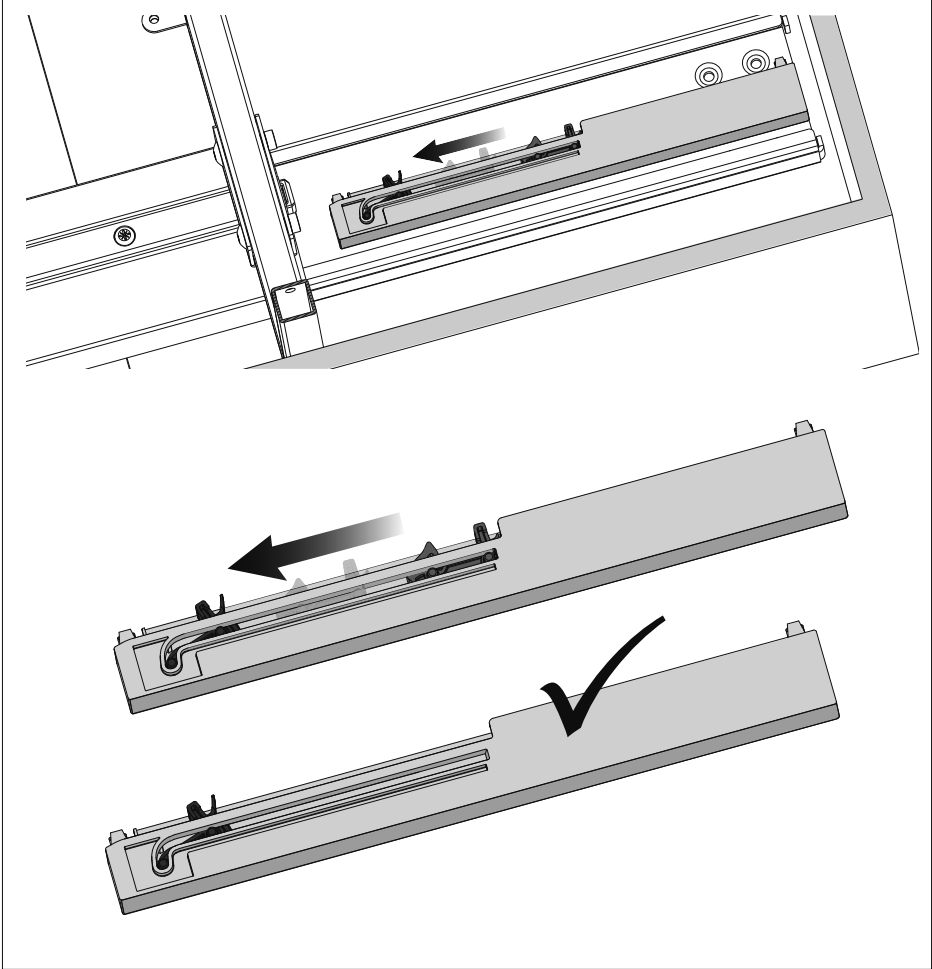
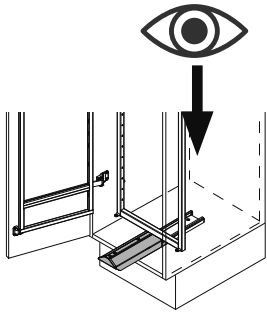
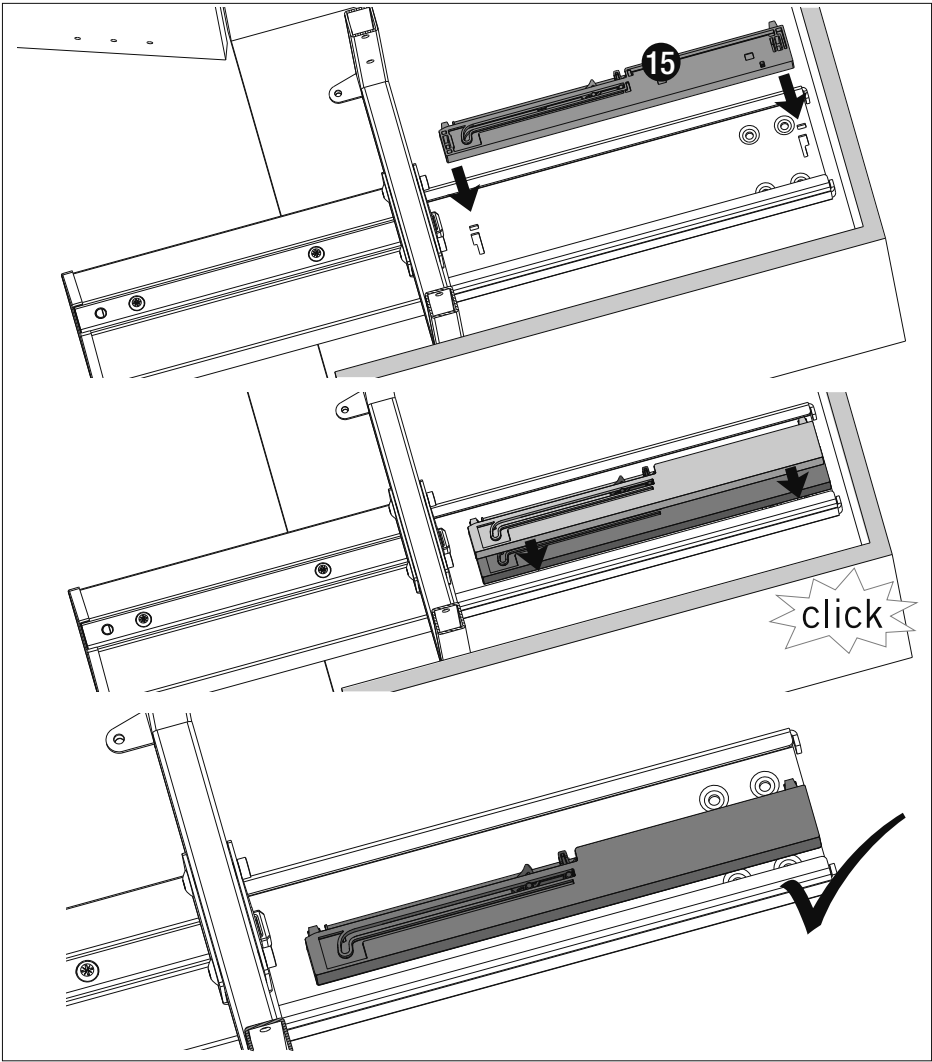
(PZ 2)



9

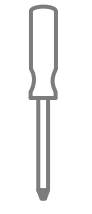


10

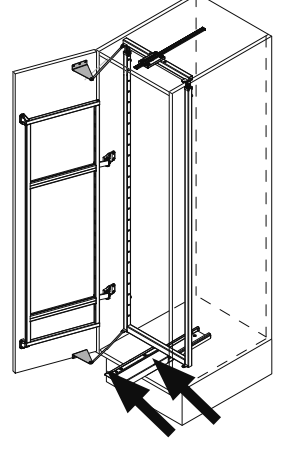
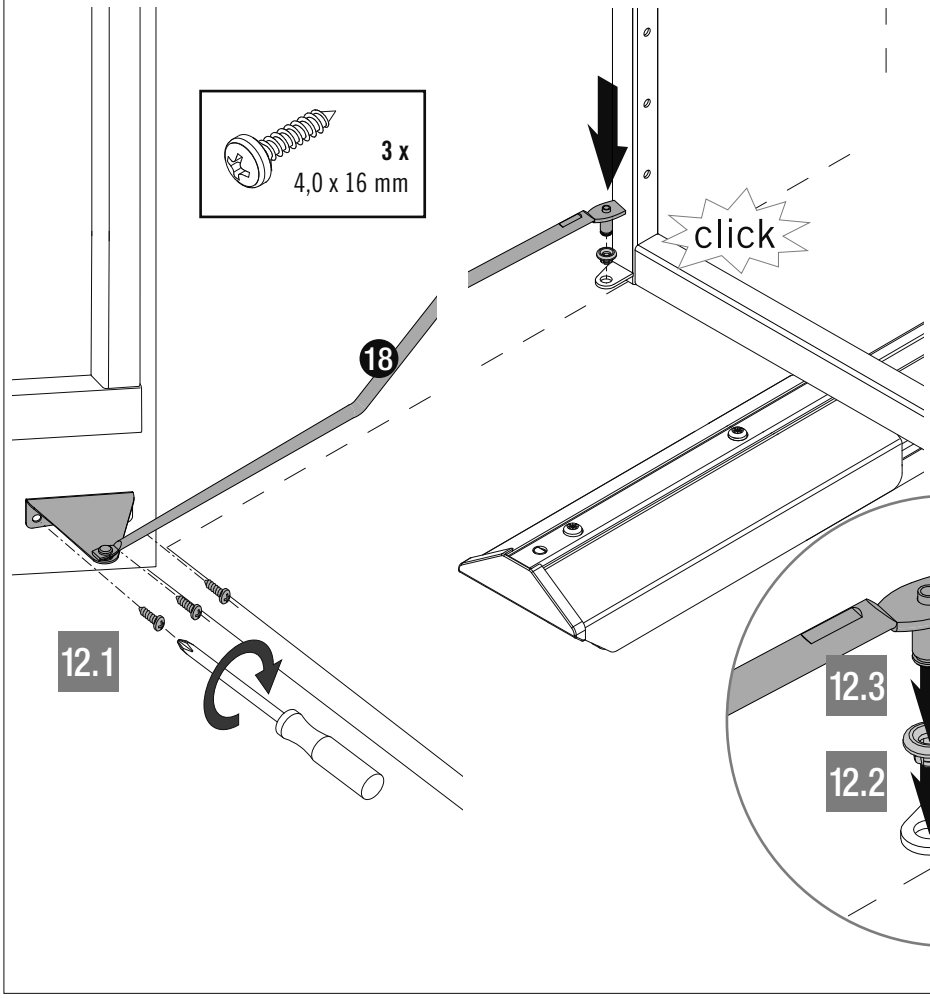
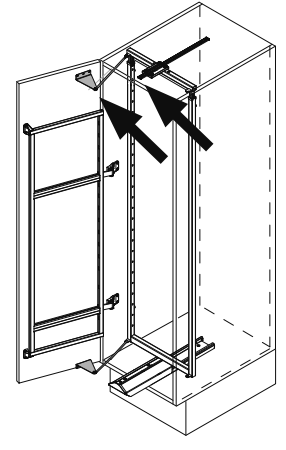
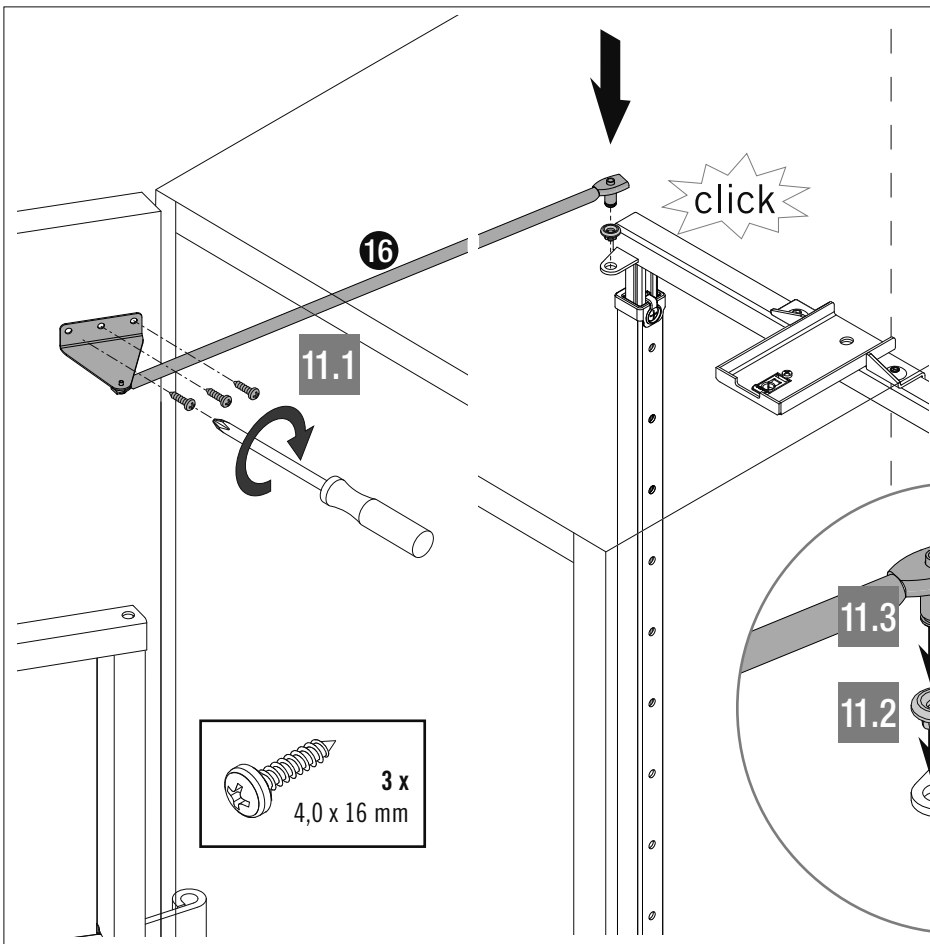


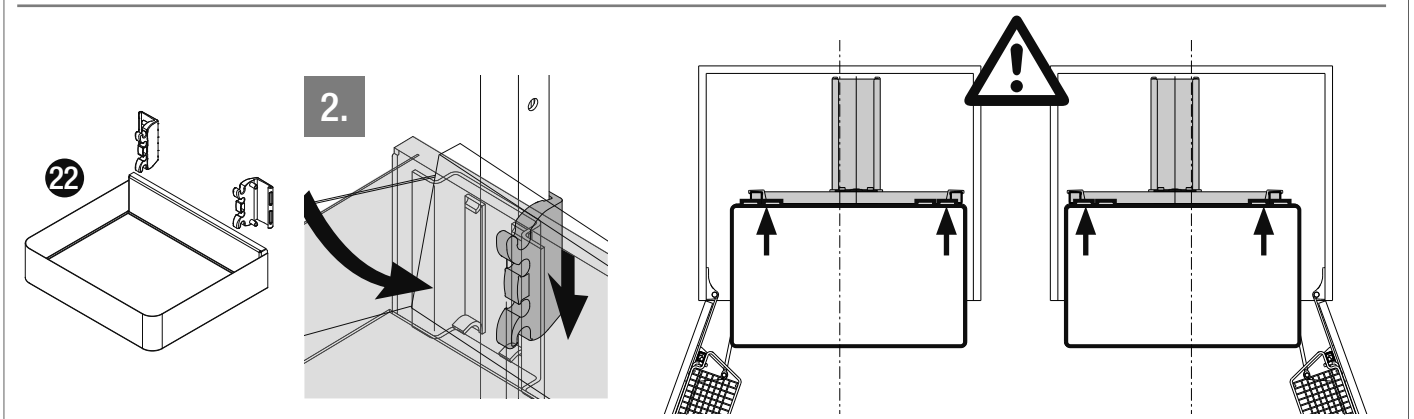
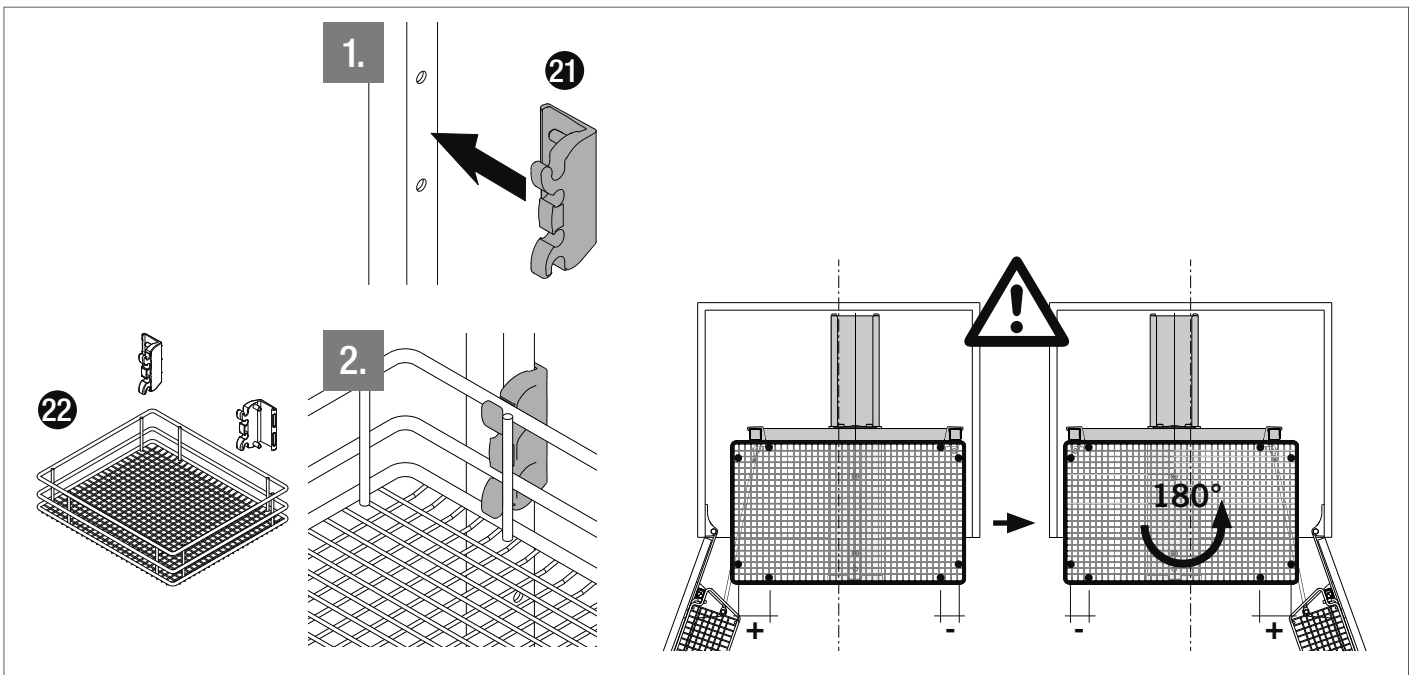
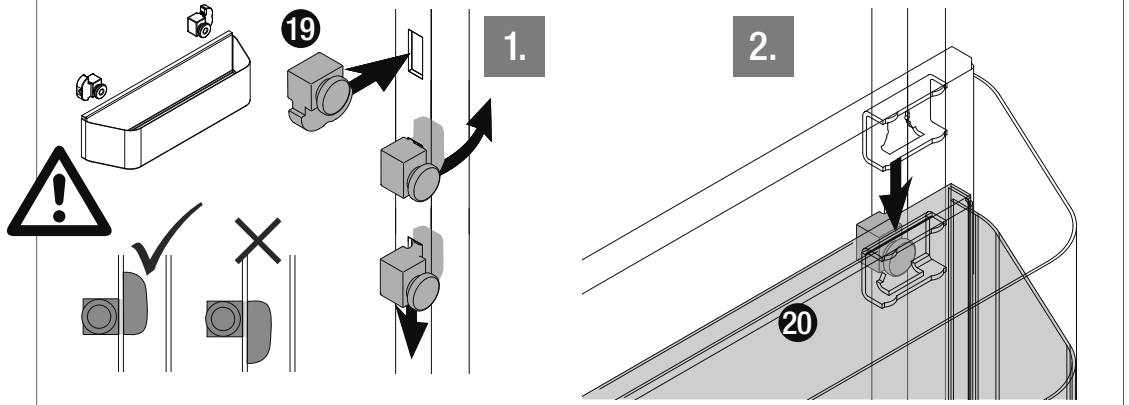
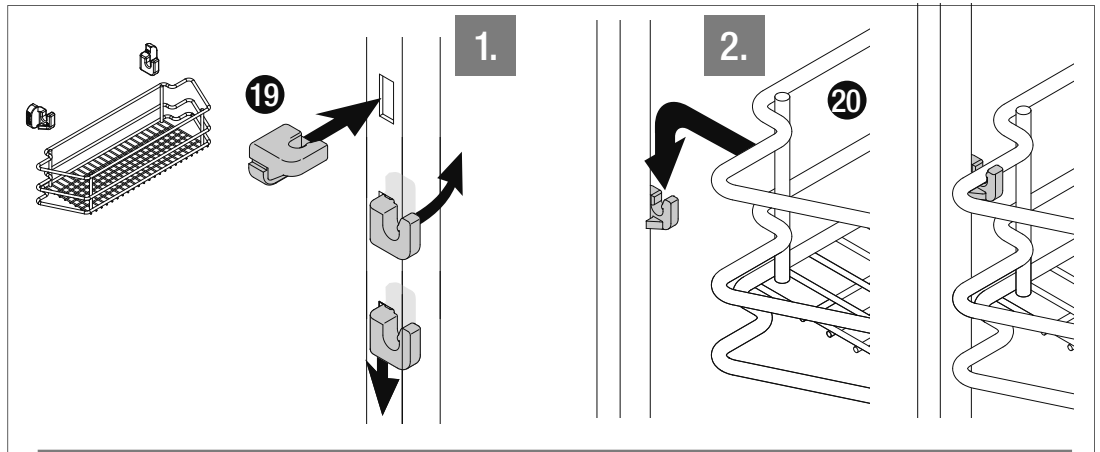
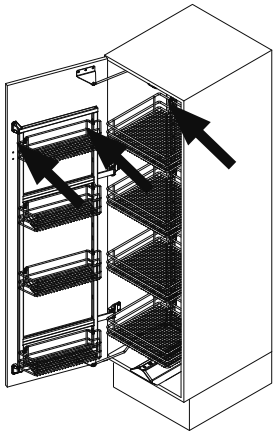


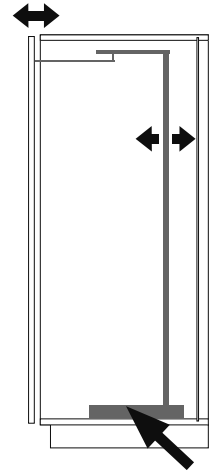
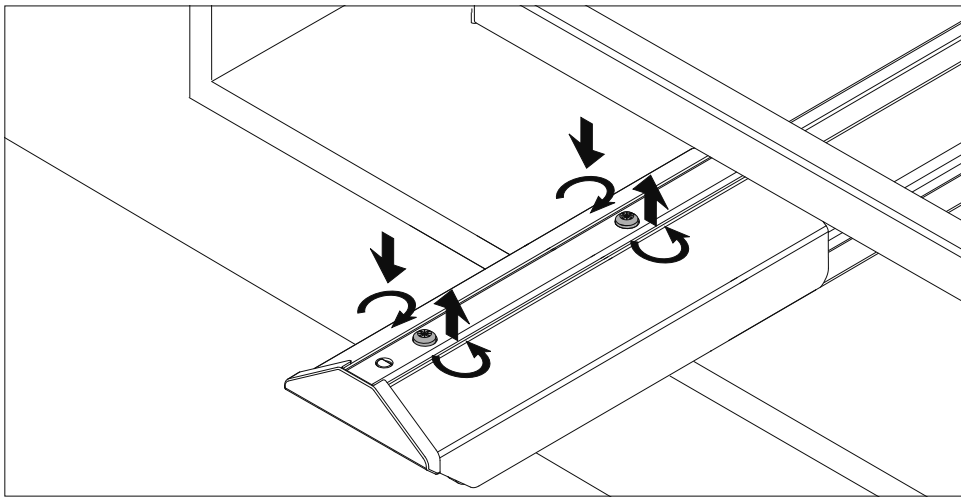
# 11



(PZ 2)

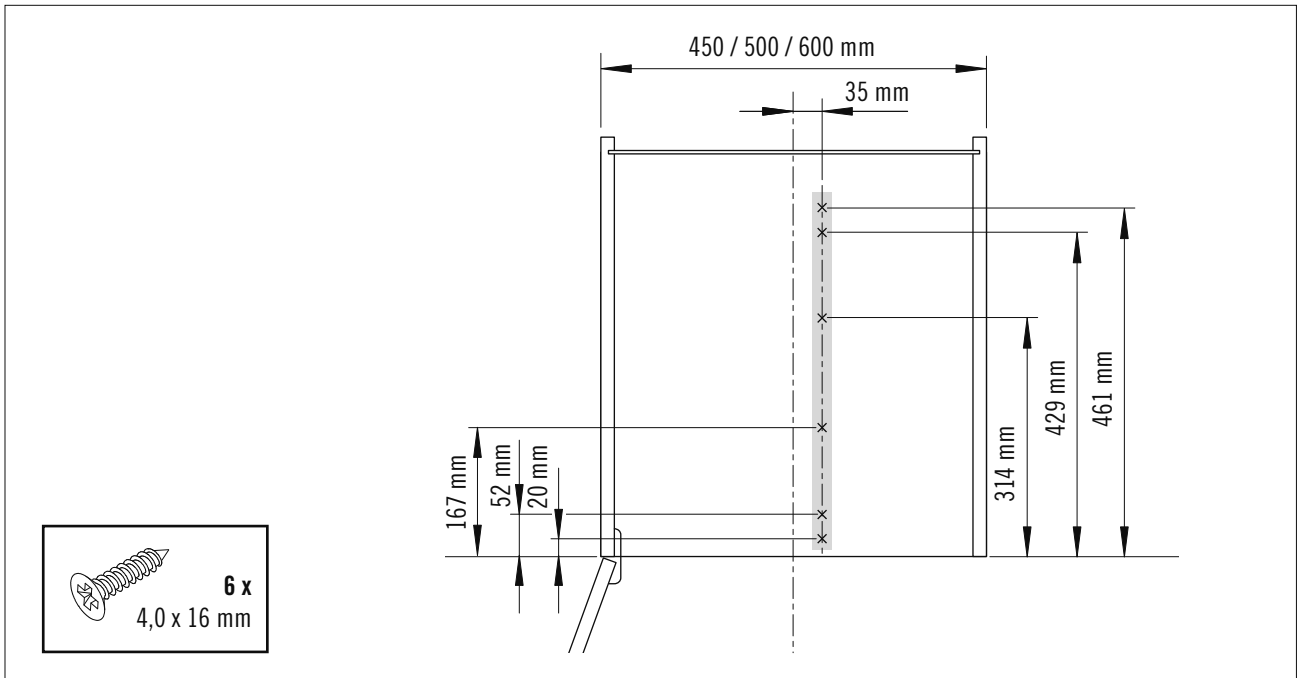






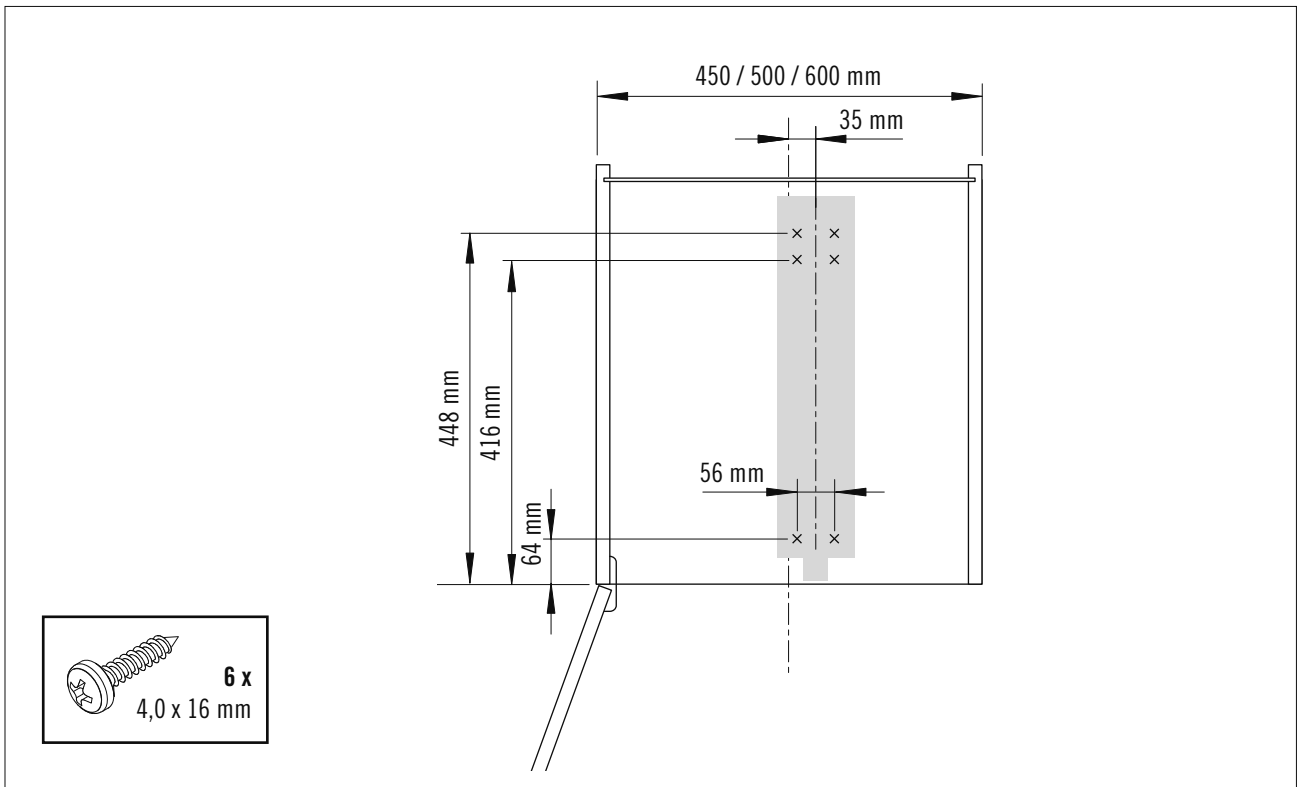
**1**

**A**



**2**

**B**



5

C

8

D

11

E

	<b>E</b>
K 450	93
K 500	80
K 600	130

	<b>D</b>	<b>C</b>
VS TAL® Gate Pro 1	473	190
VS TAL® Gate Pro 2	793	510
VS TAL® Gate Pro 3	1049	702
VS TAL® Gate Pro 4	1193	702
VS TAL® Gate Pro 5	1593	1086
VS TAL® Gate Pro 6	1593	1086

