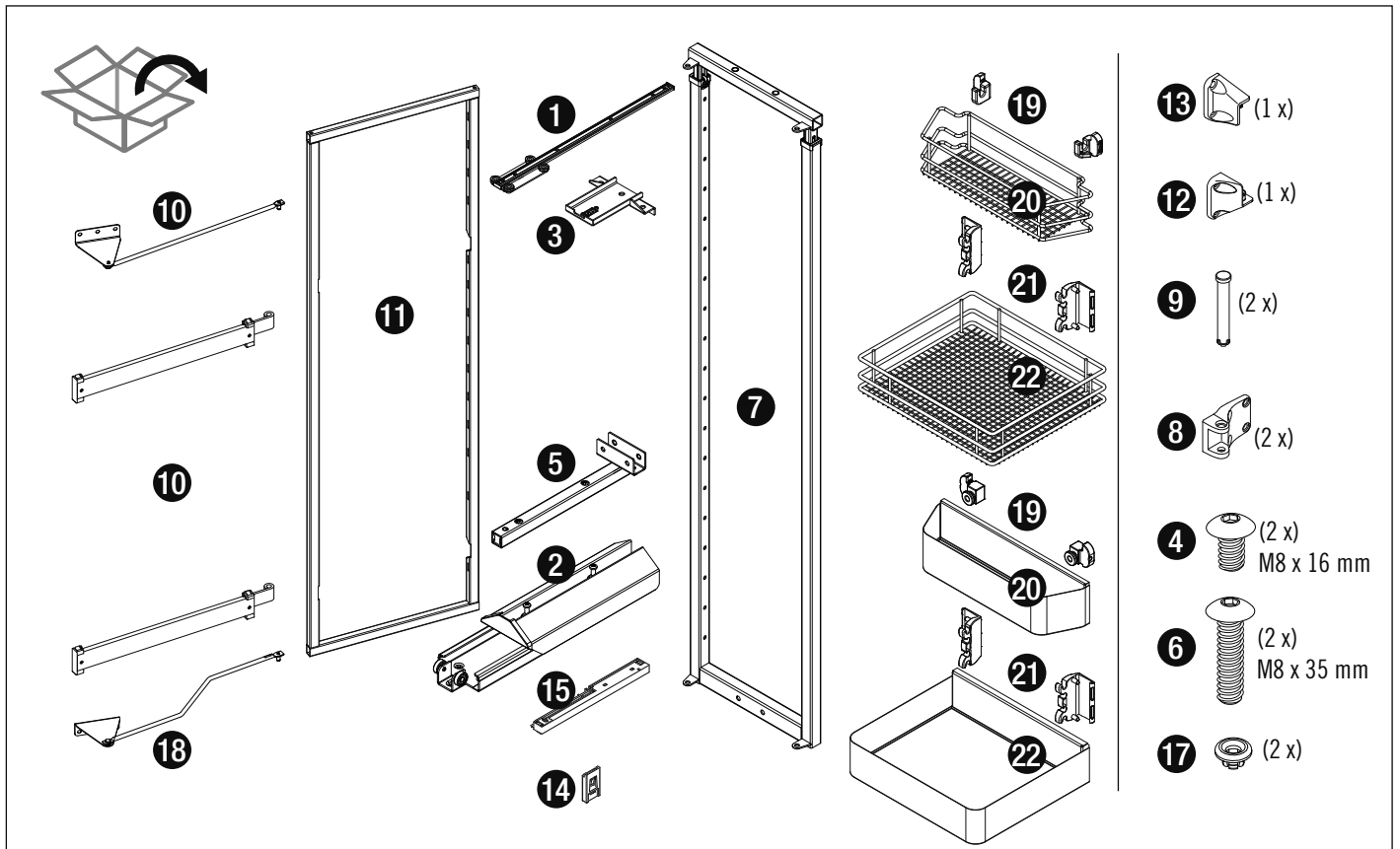
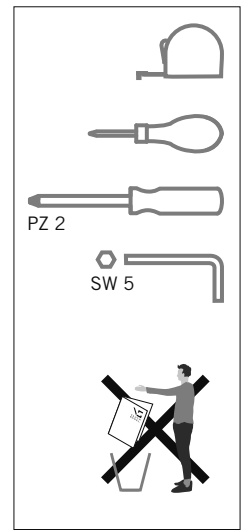
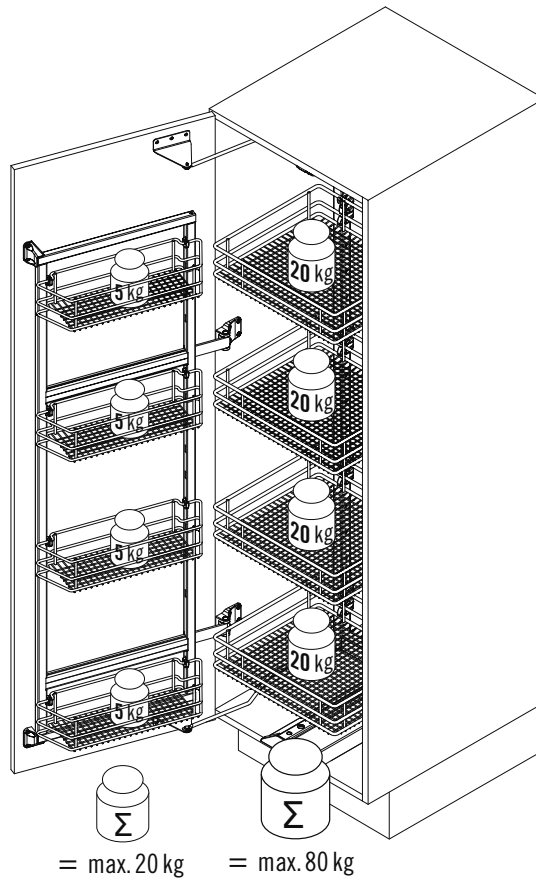
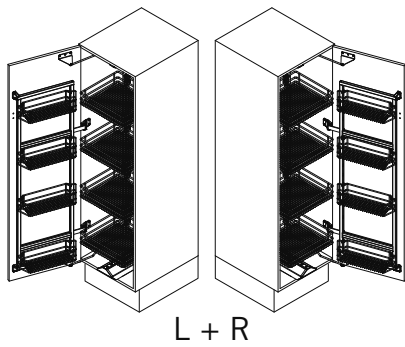
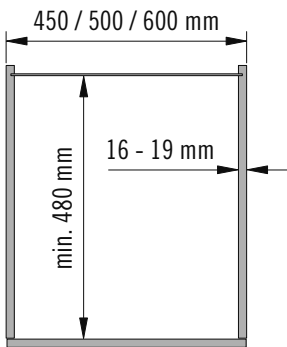
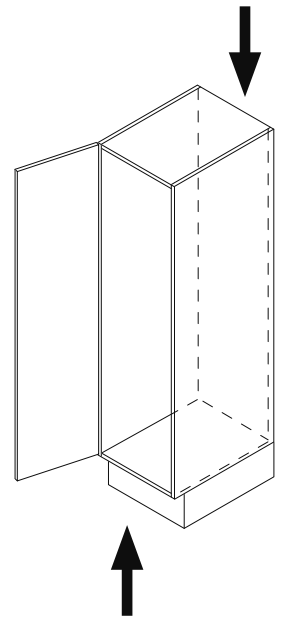
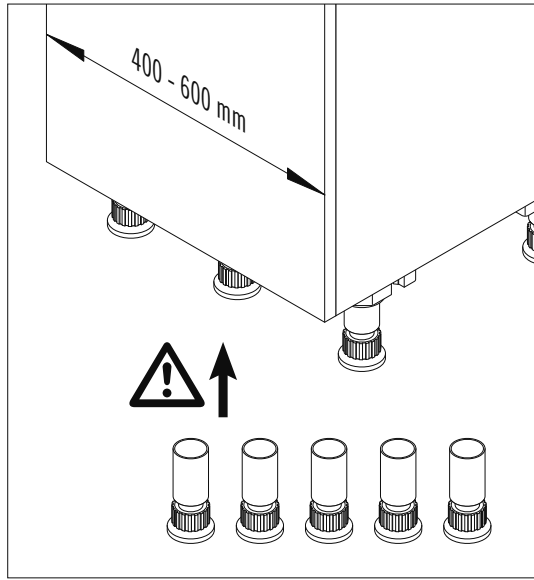
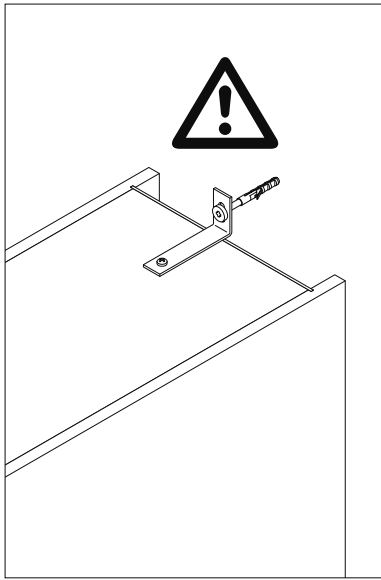


VS TAL[®] Gate Pro





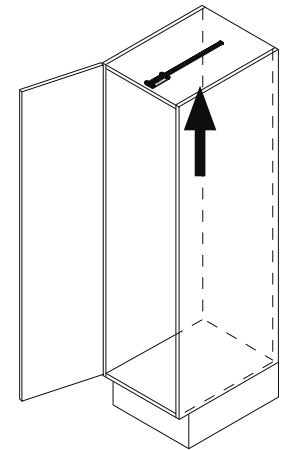
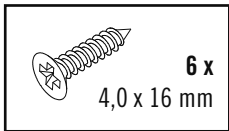
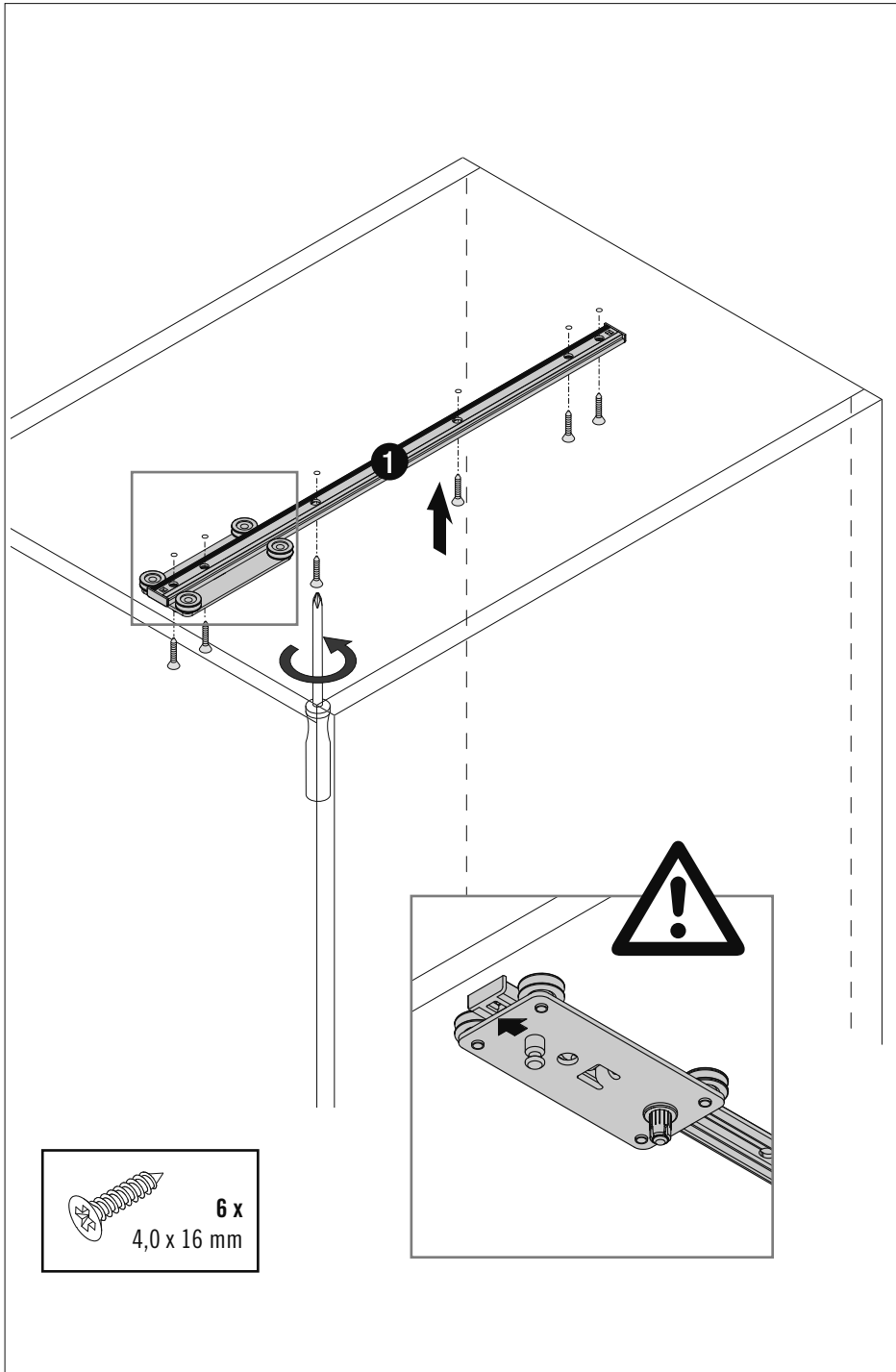
1



A



(PZ 2)



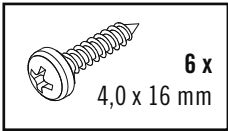
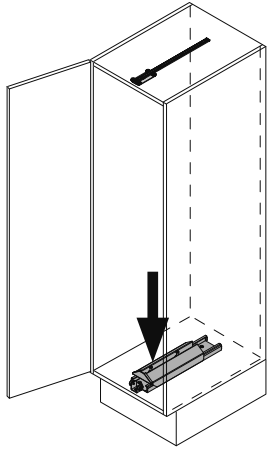
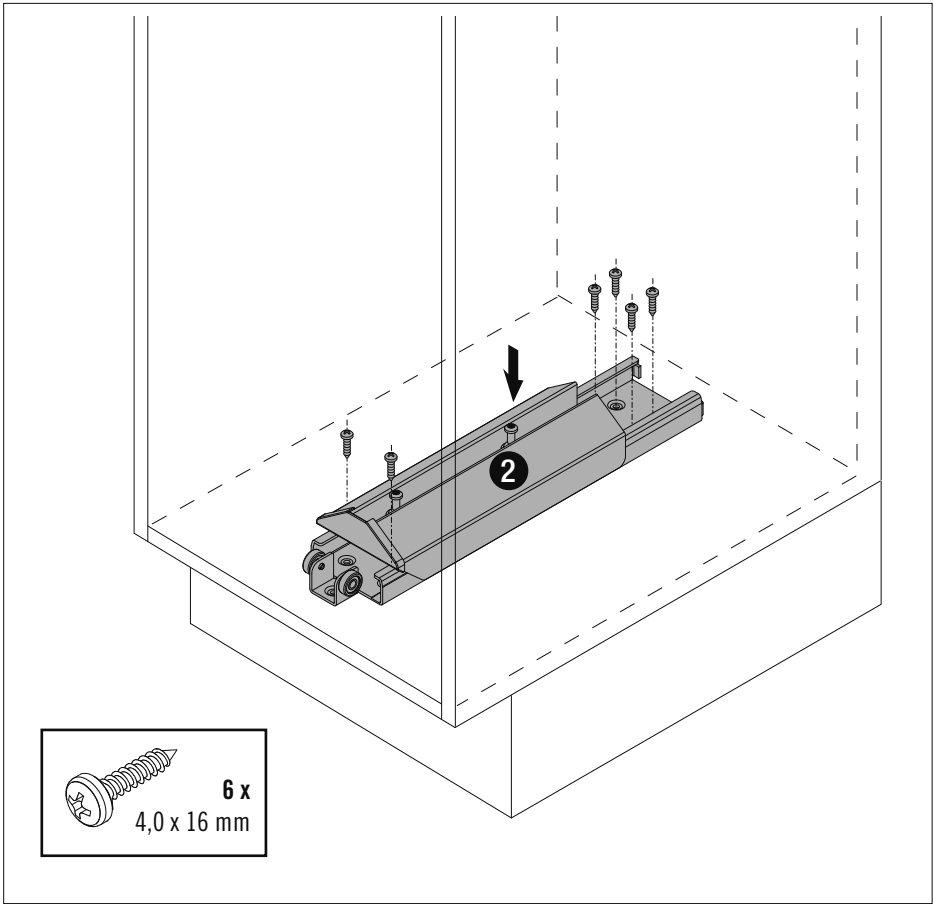
2



B



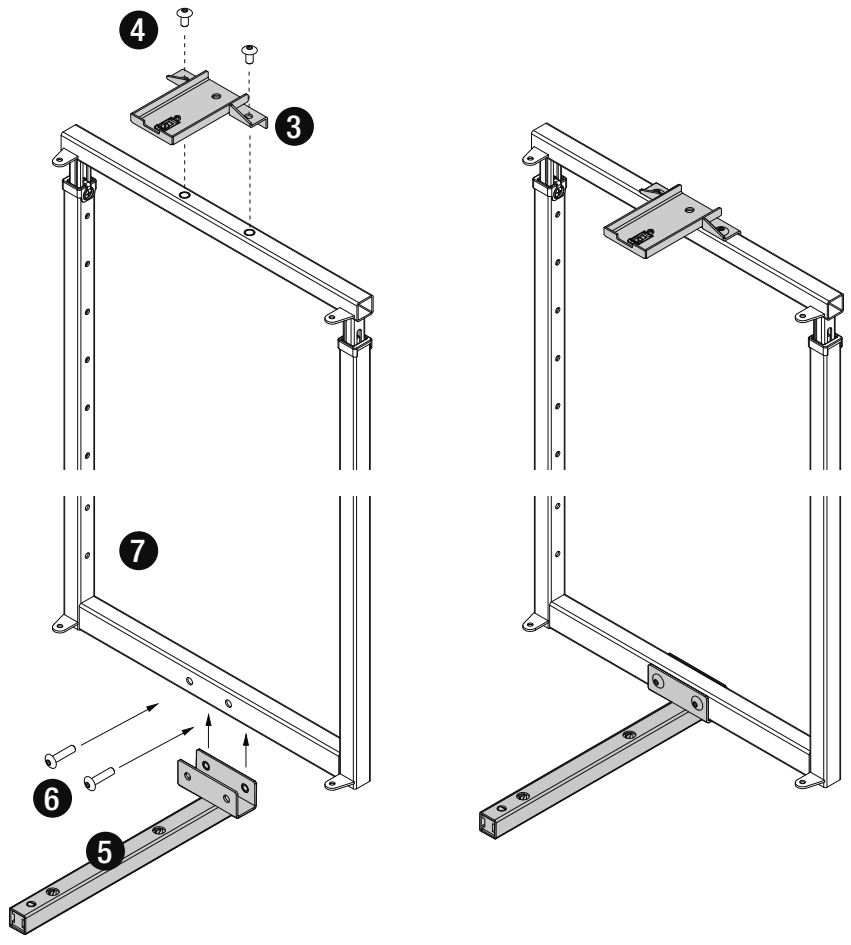
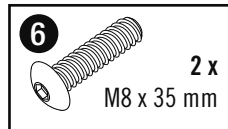
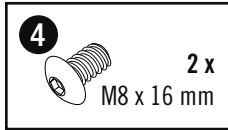
(PZ 2)



3



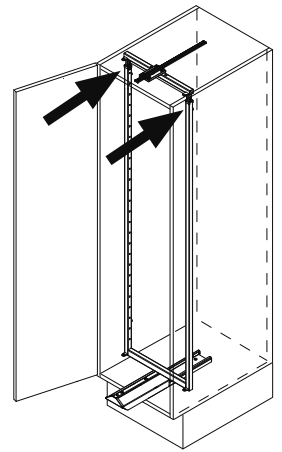
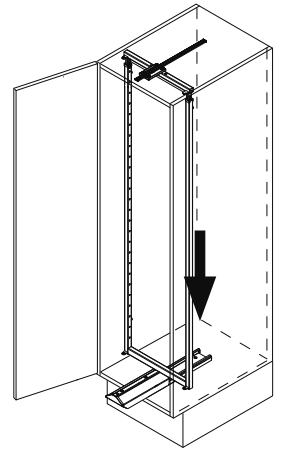
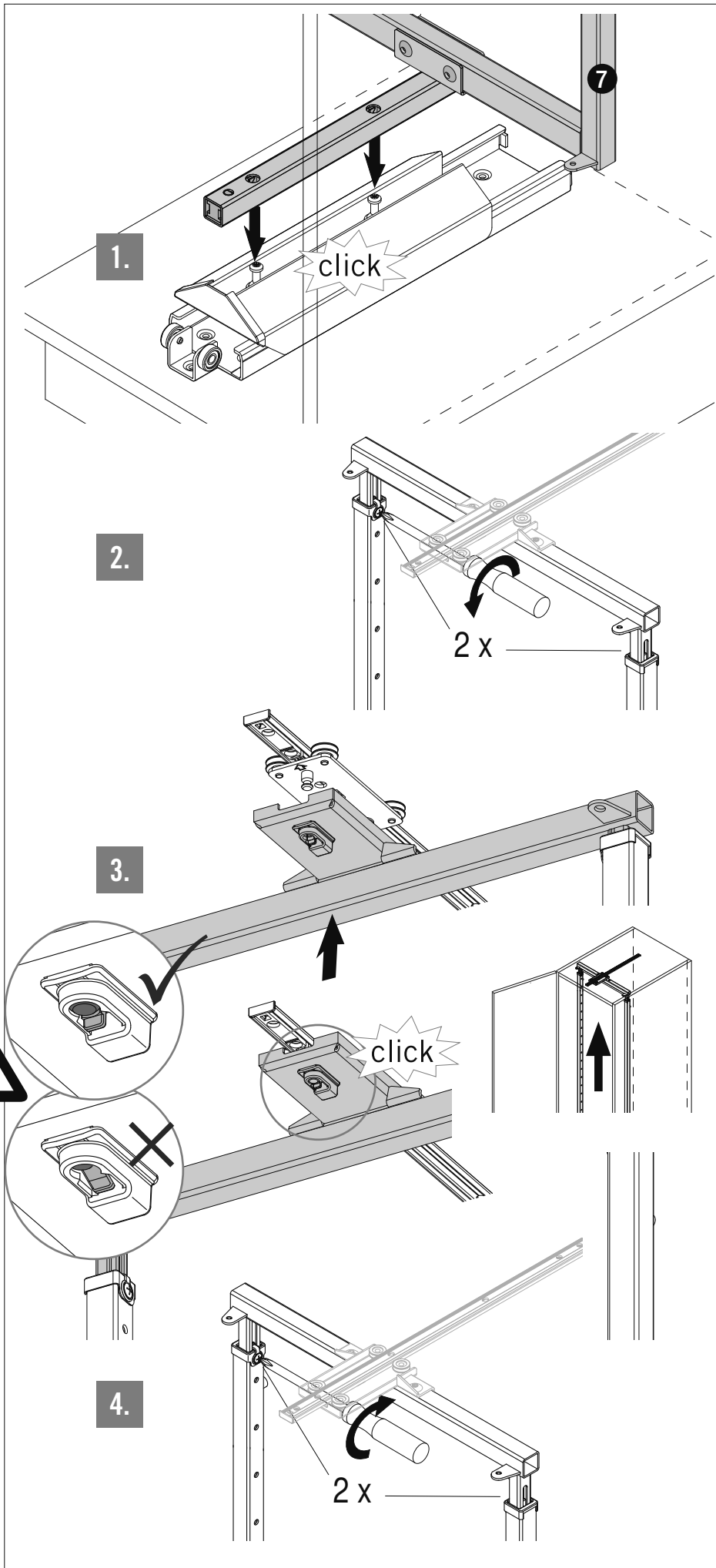
SW 5



4



(PZ 2)



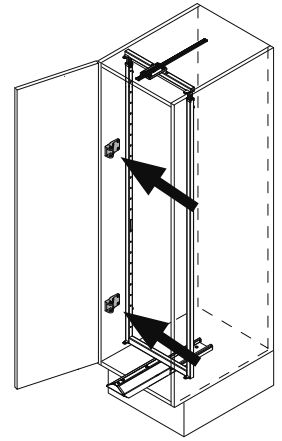
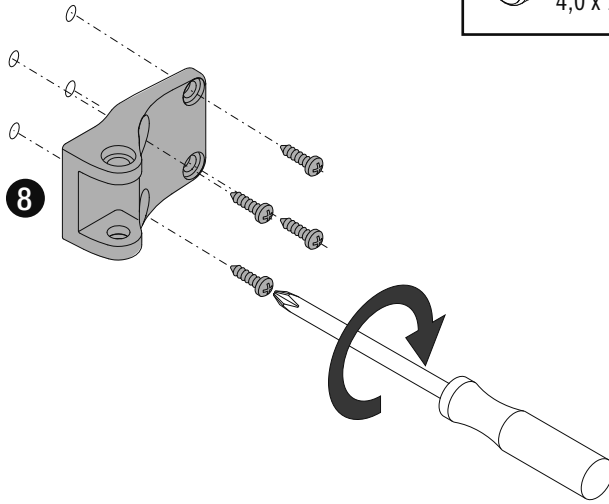
5



C



(PZ 2)

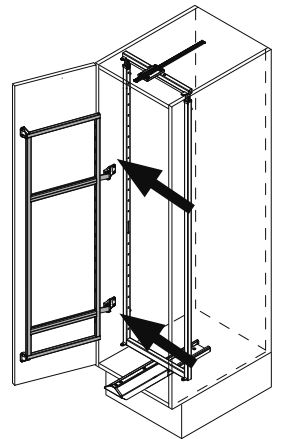
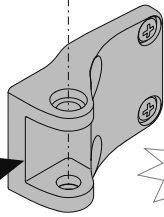
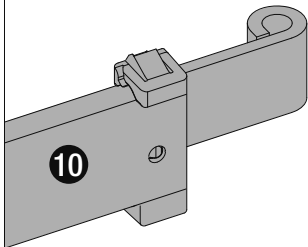


6

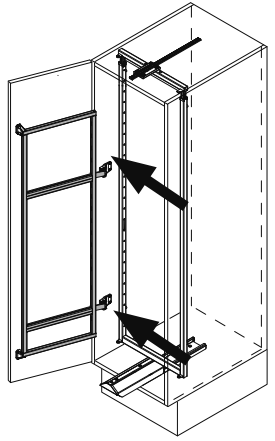
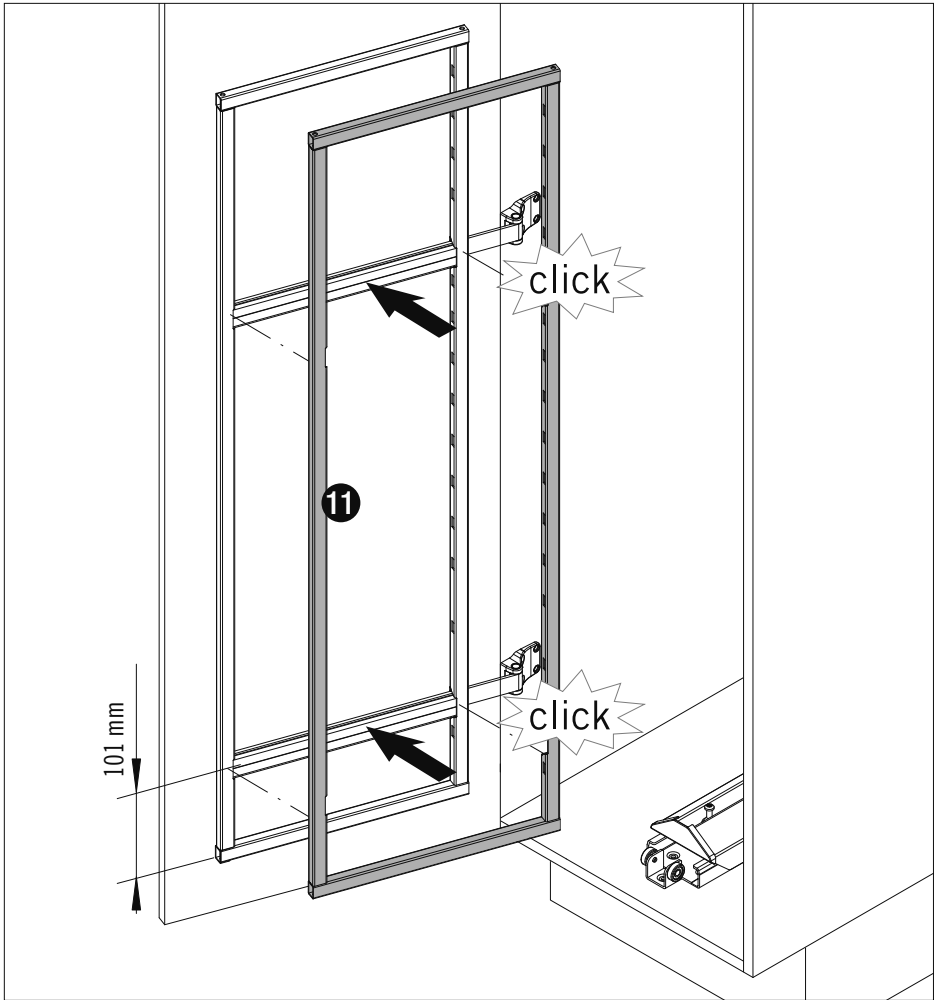


9

click



7



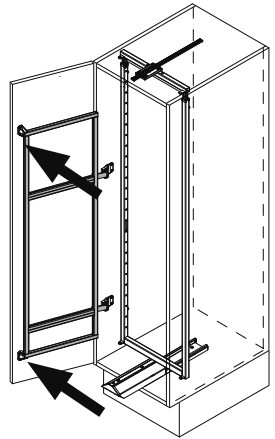
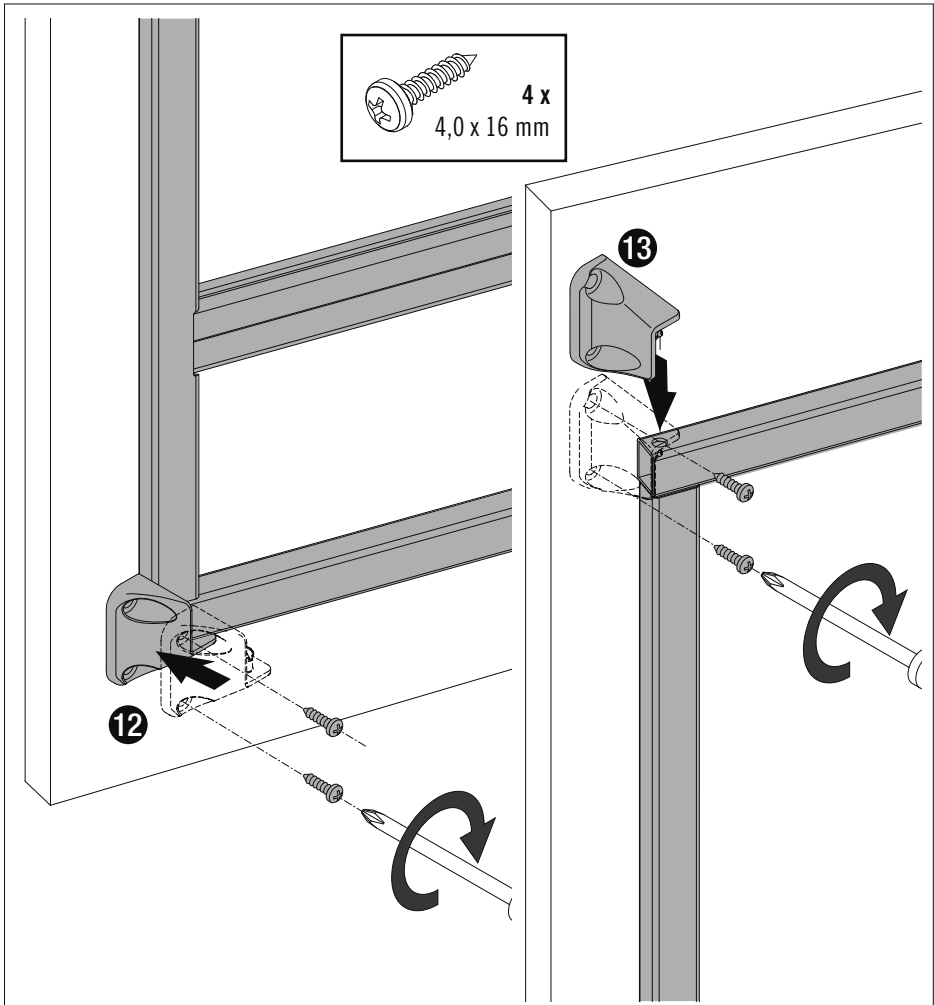
8



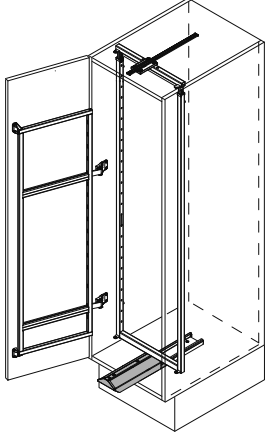
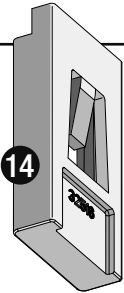
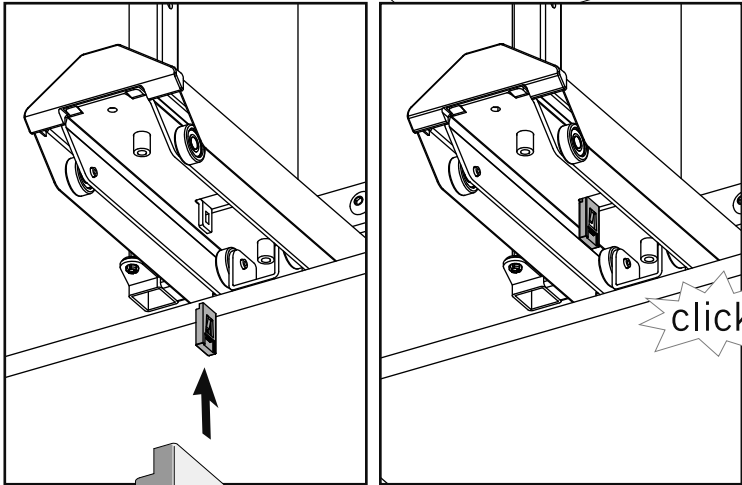
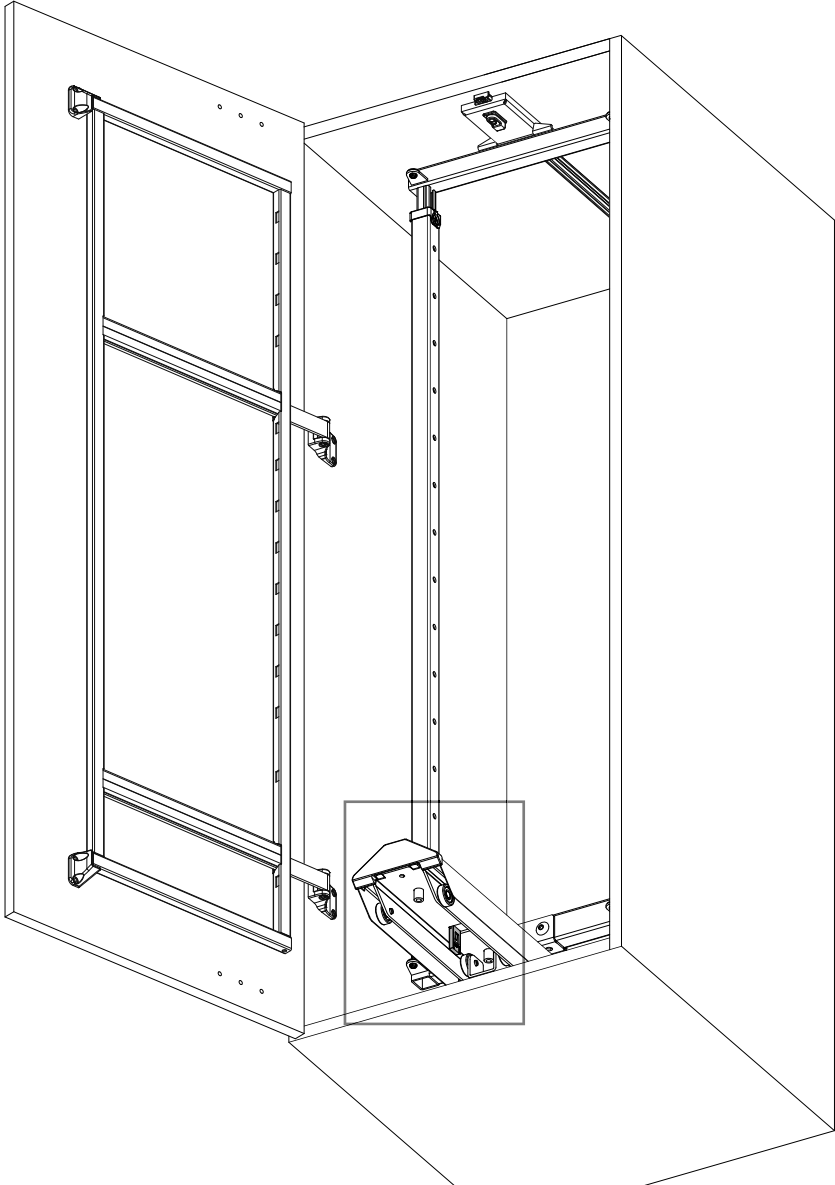
D



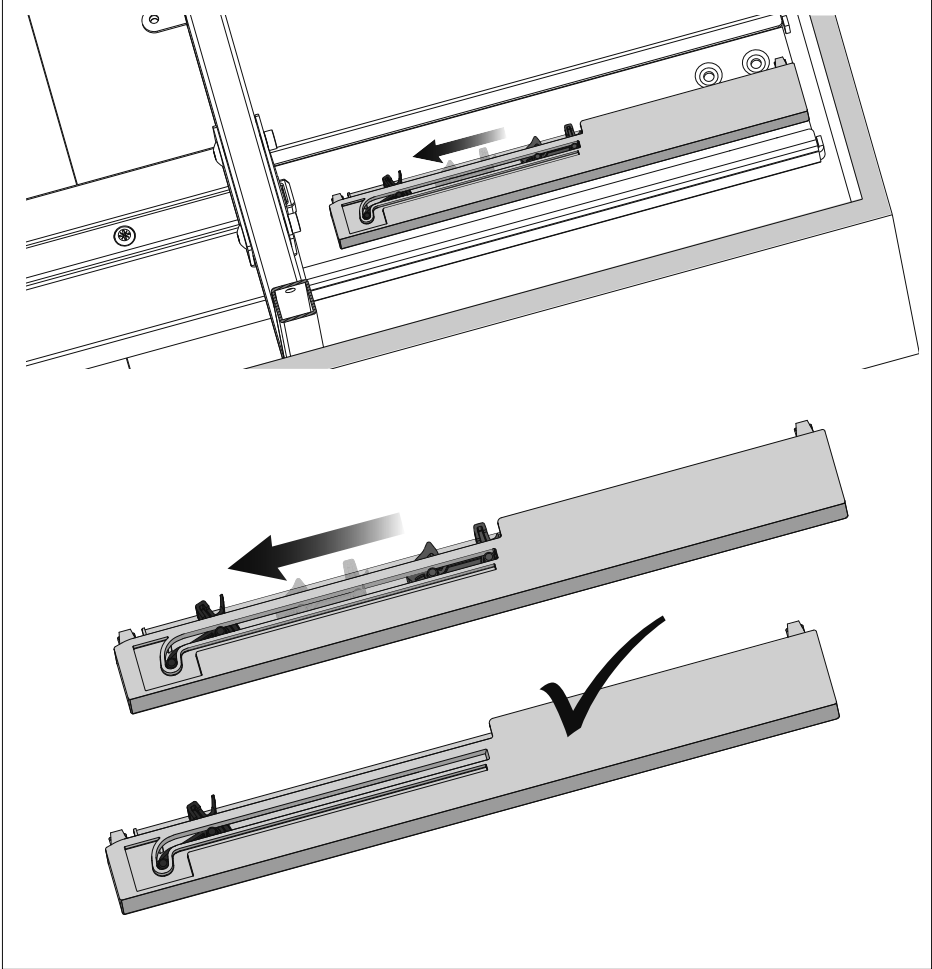
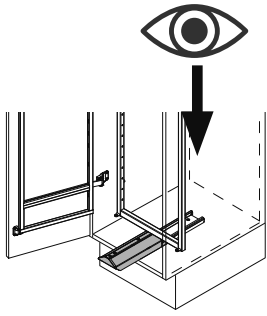
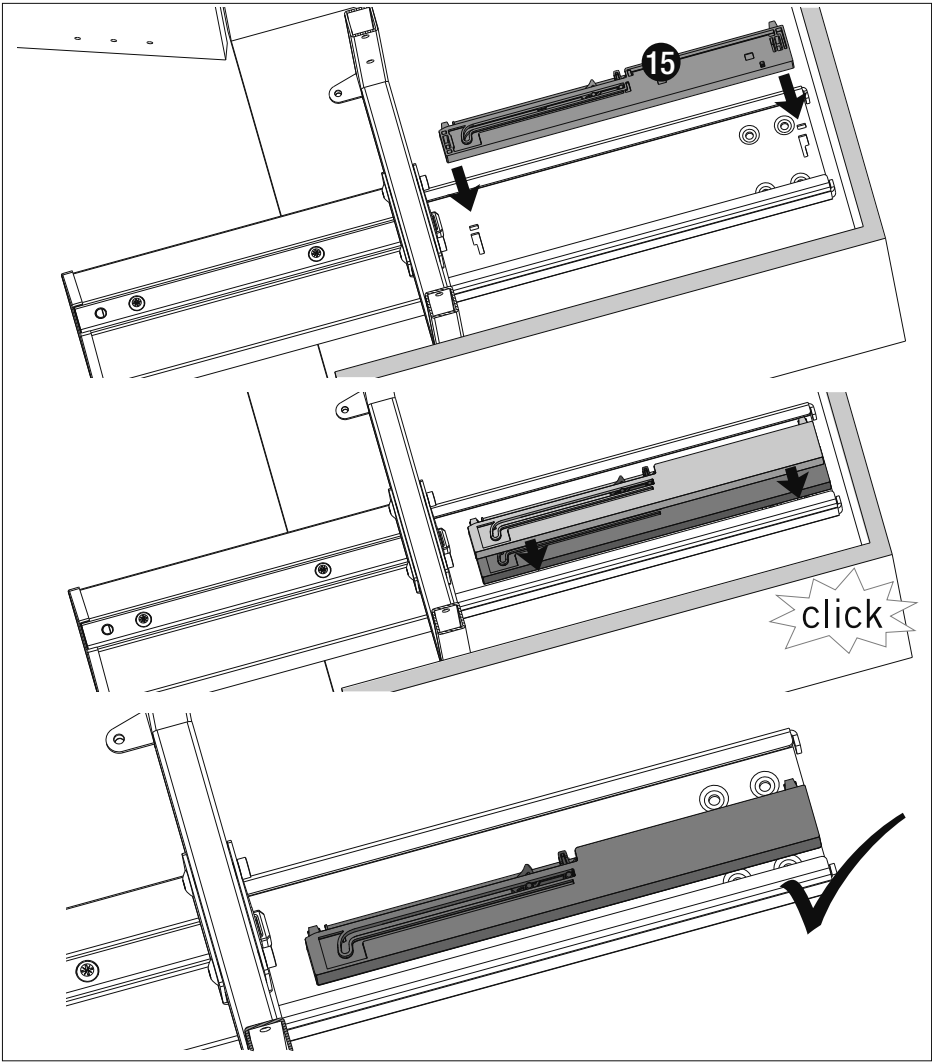
(PZ 2)



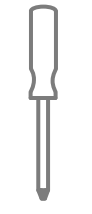
9



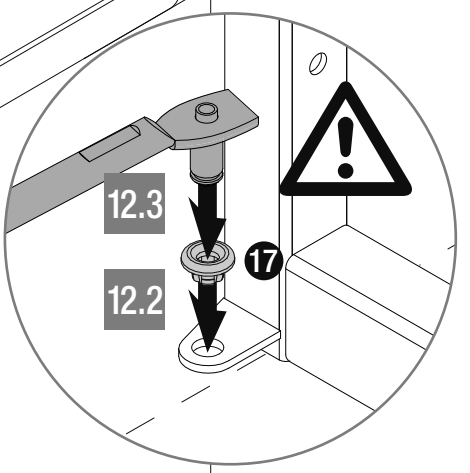
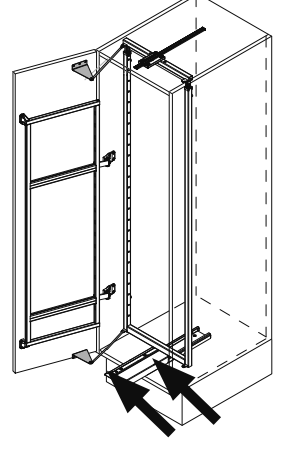
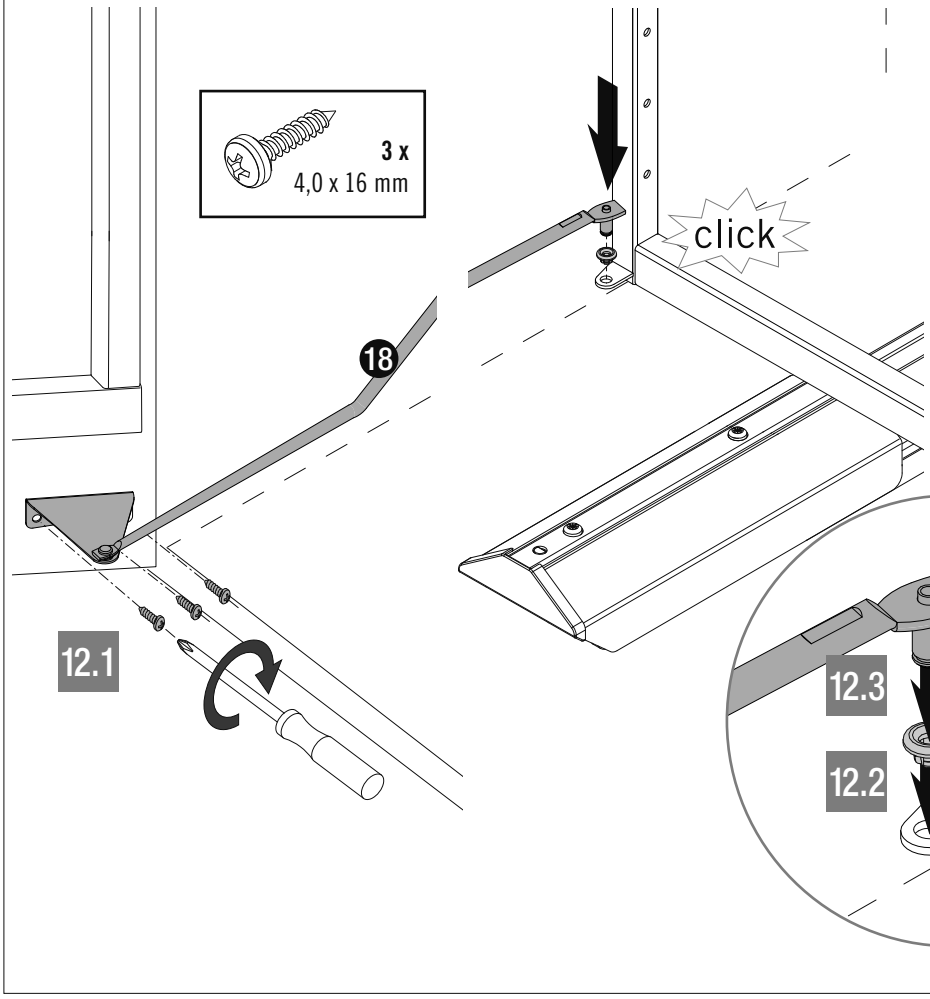
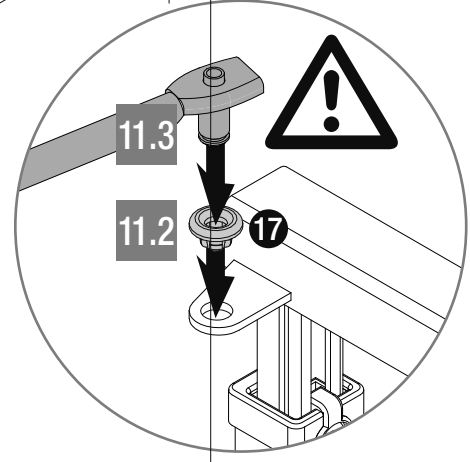
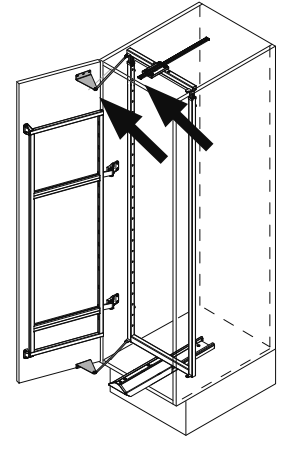
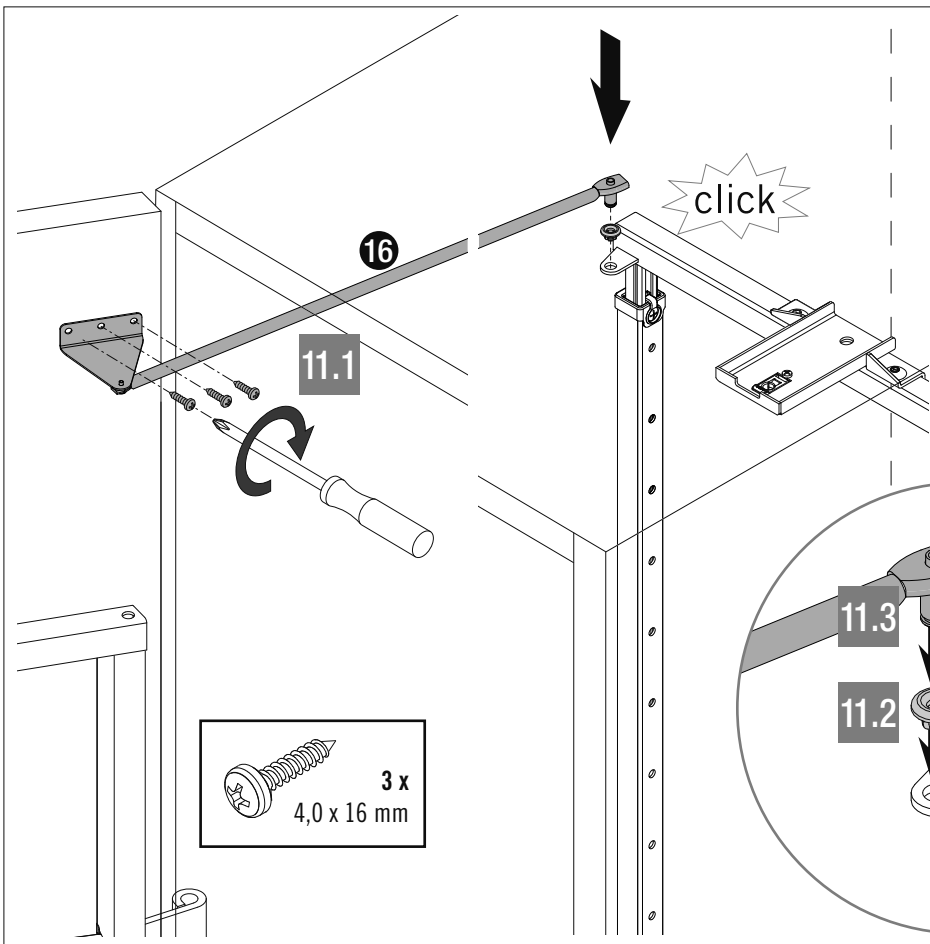
10

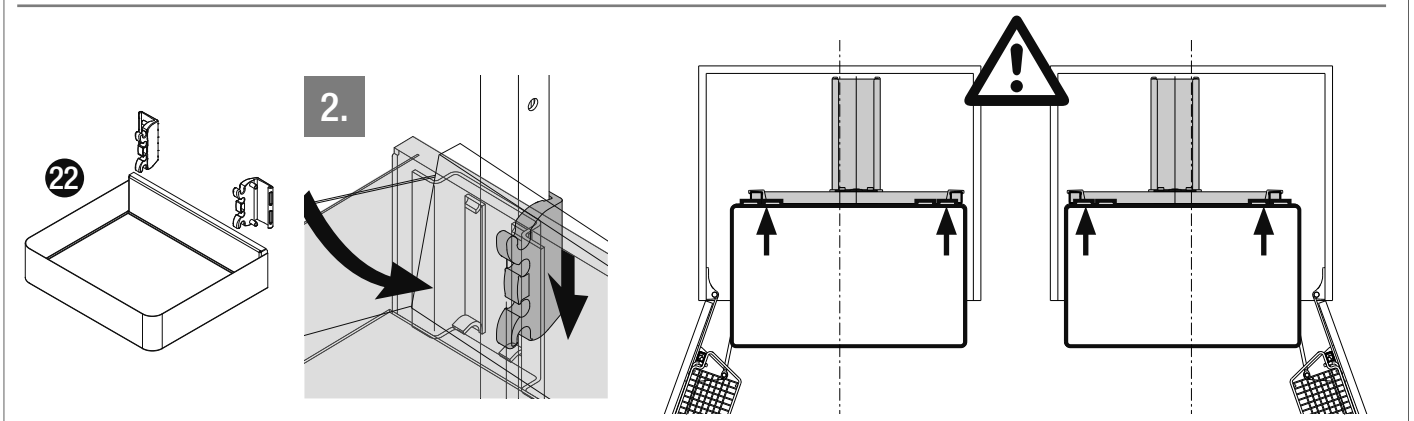
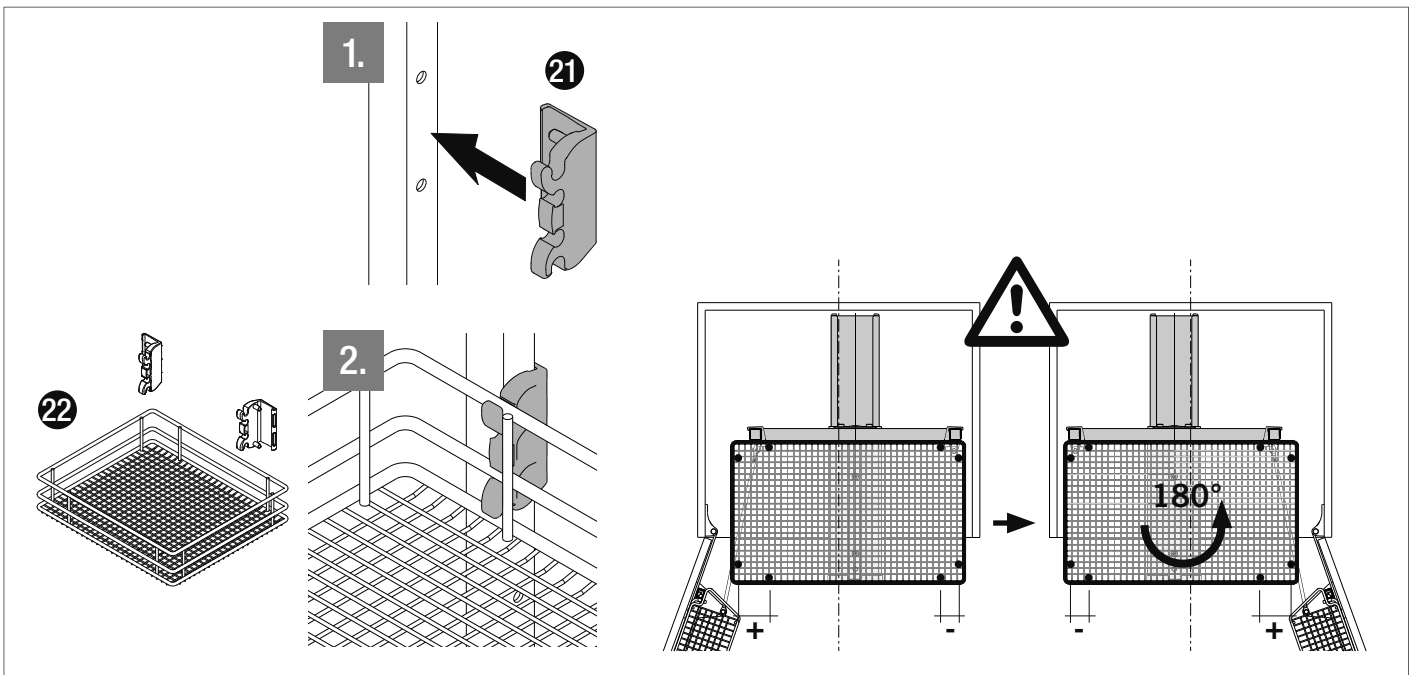
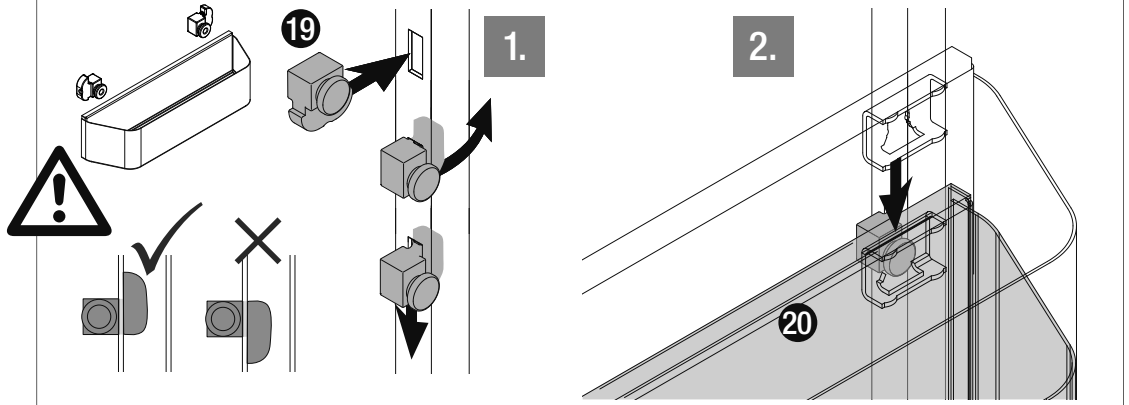
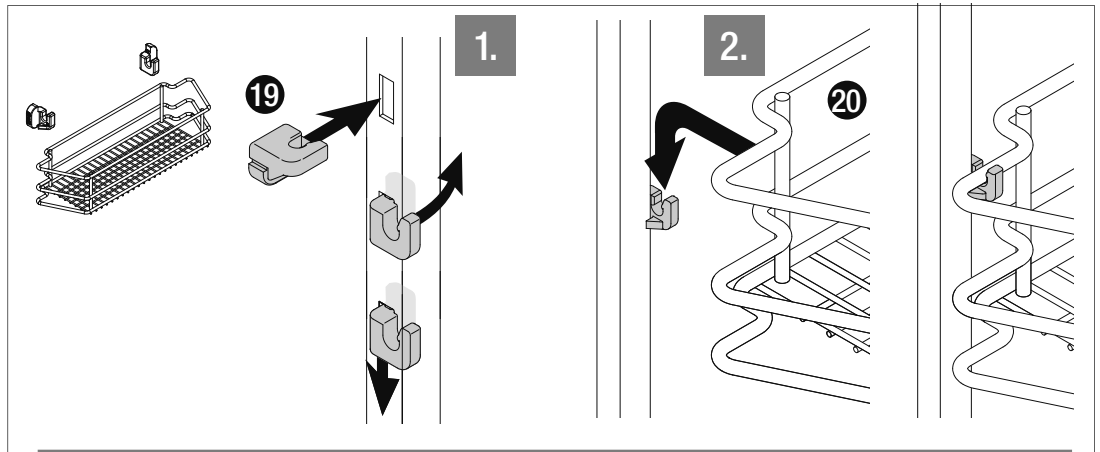
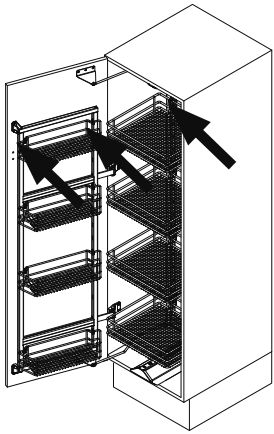


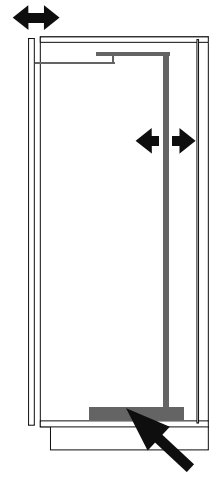
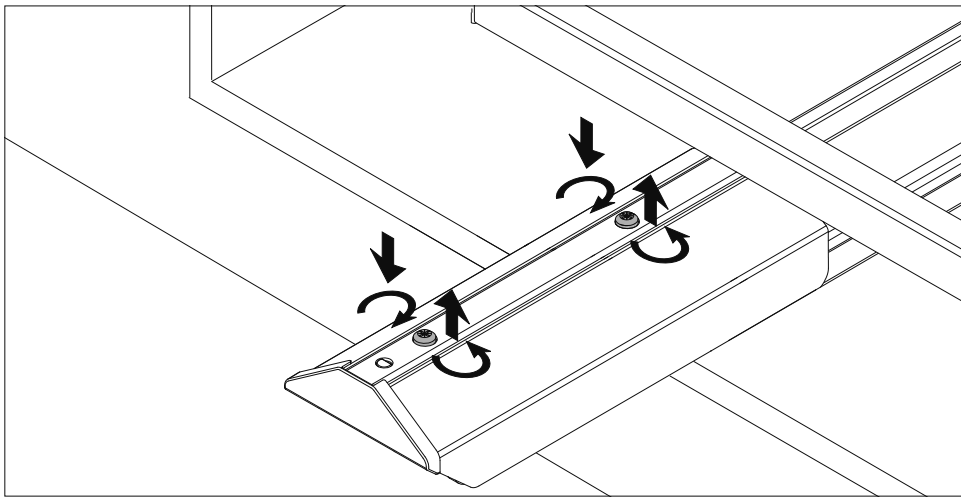
11



(PZ 2)

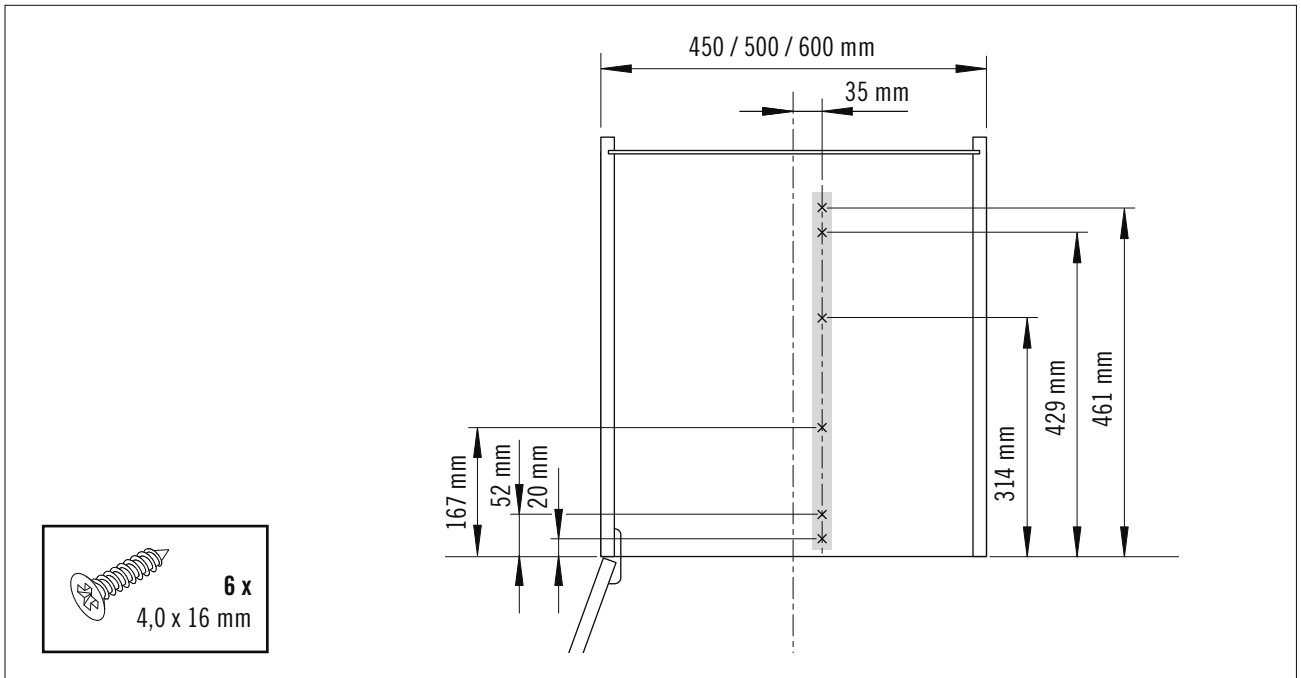






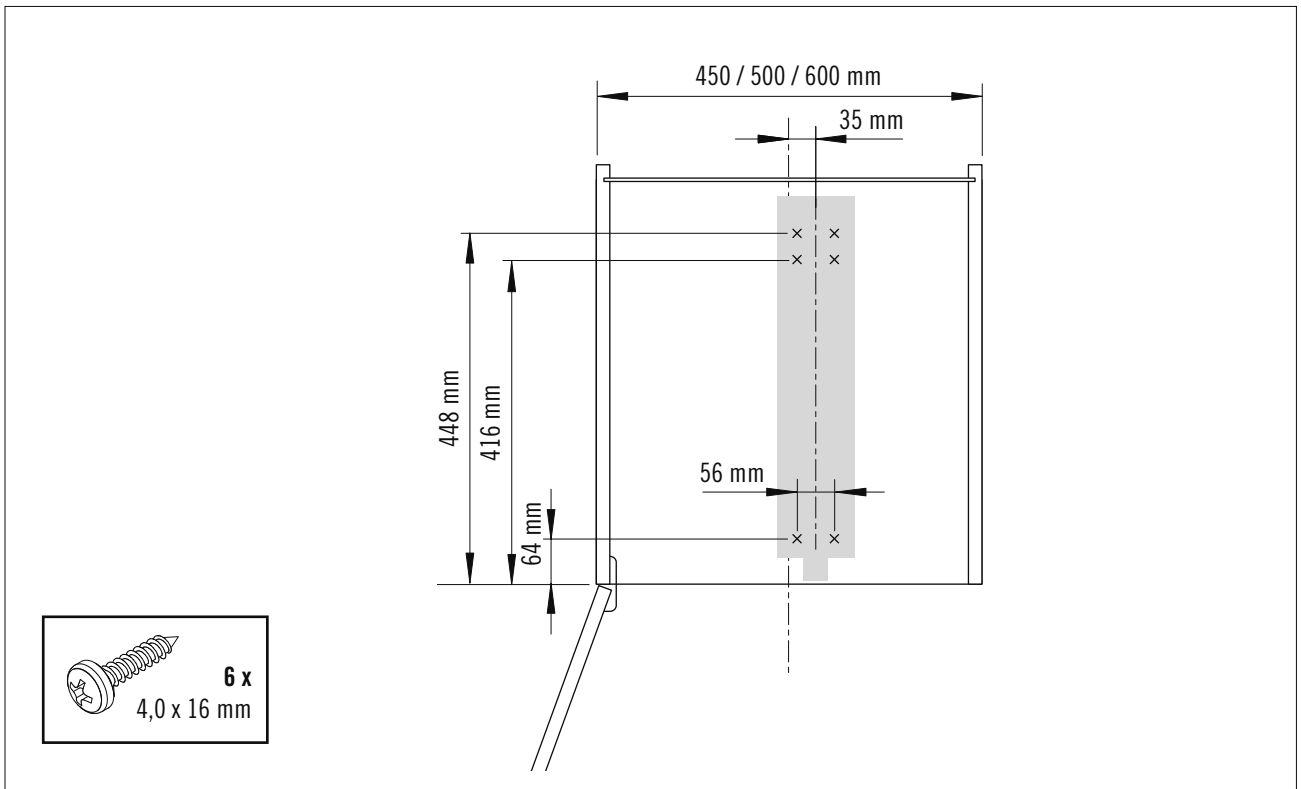
1

A



2

B



5

C

8

D

11

E

	E
K 450	93
K 500	80
K 600	130

	D	C
VS TAL® Gate Pro 1	473	190
VS TAL® Gate Pro 2	793	510
VS TAL® Gate Pro 3	1049	702
VS TAL® Gate Pro 4	1193	702
VS TAL® Gate Pro 5	1593	1086
VS TAL® Gate Pro 6	1593	1086

