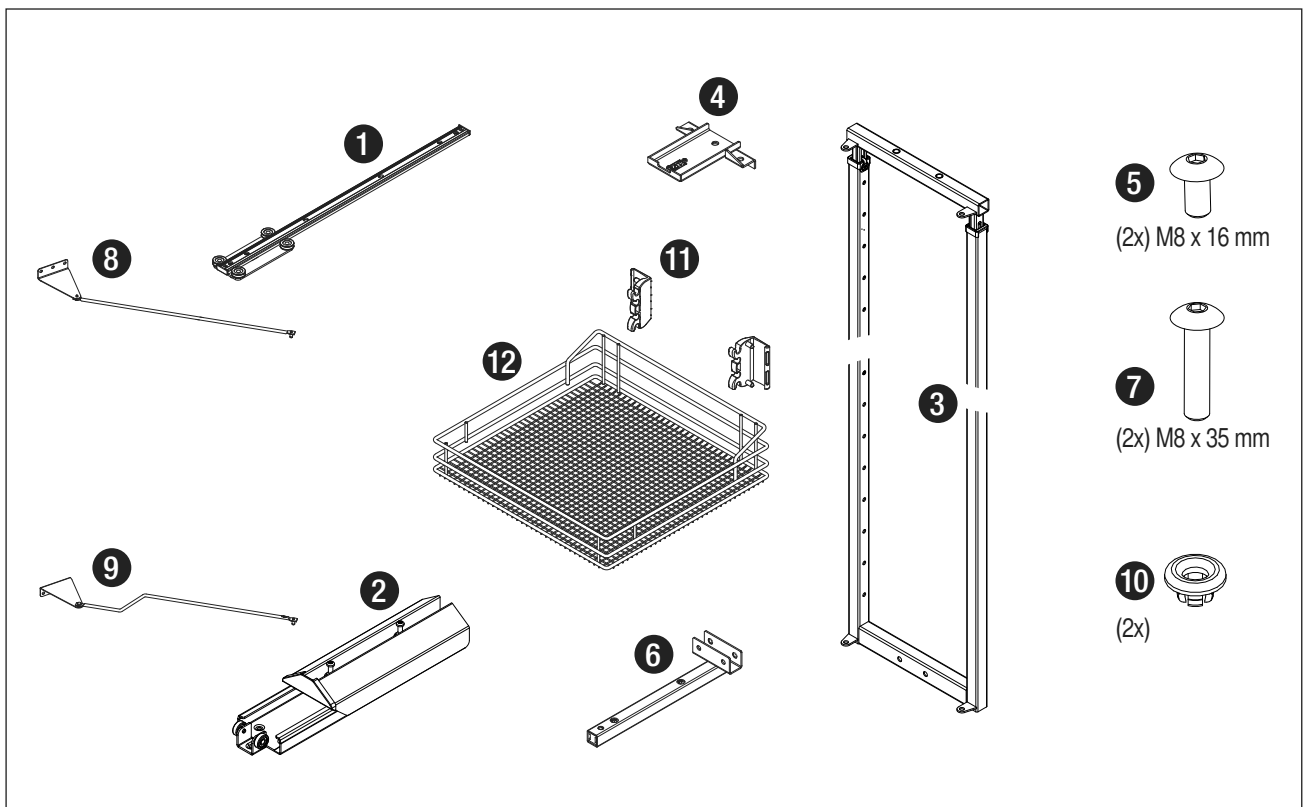
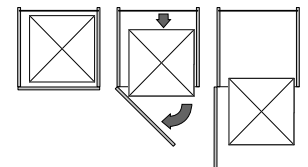
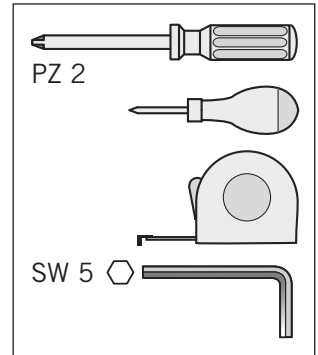
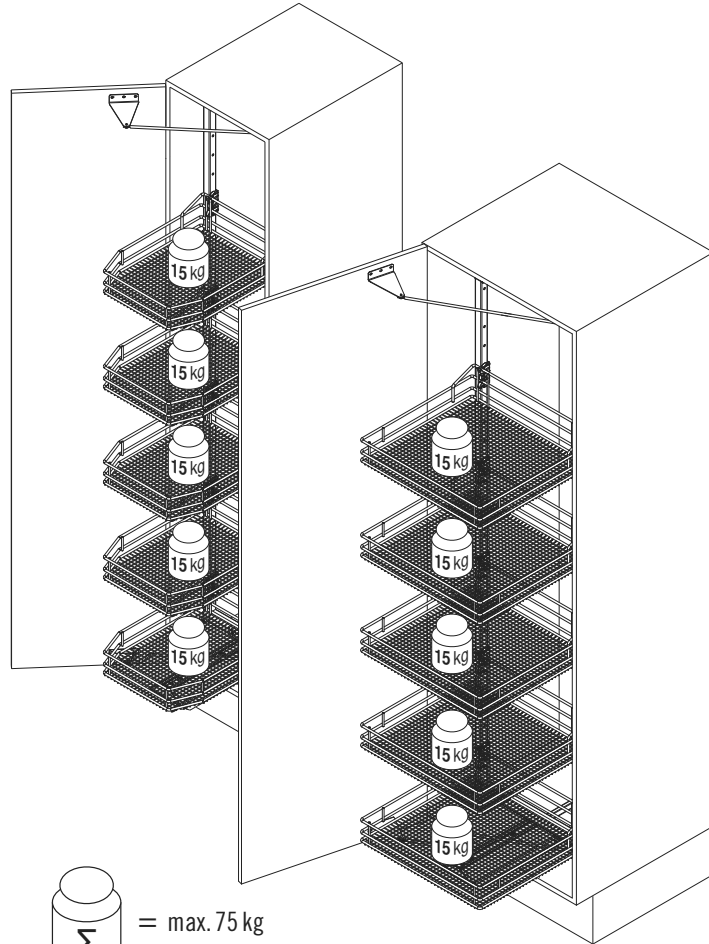
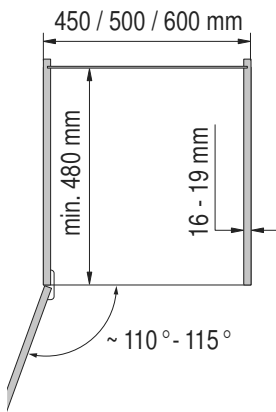
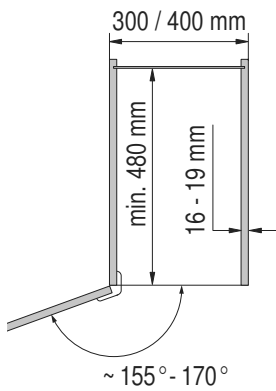
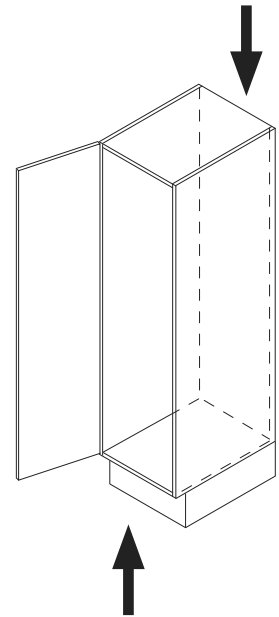
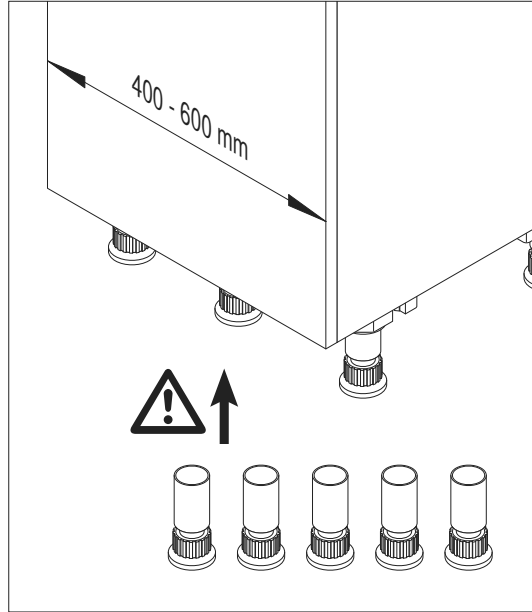
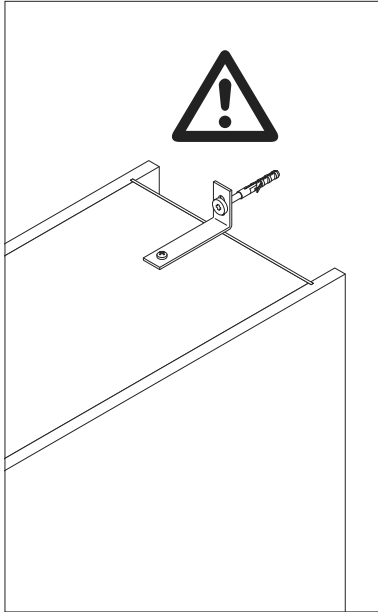


07 / 2019



VS TAL[®] Gate / N

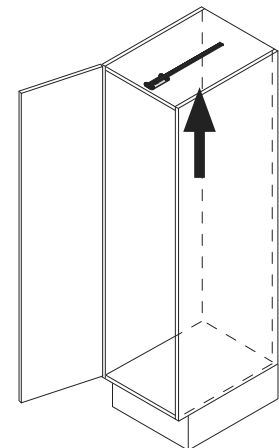
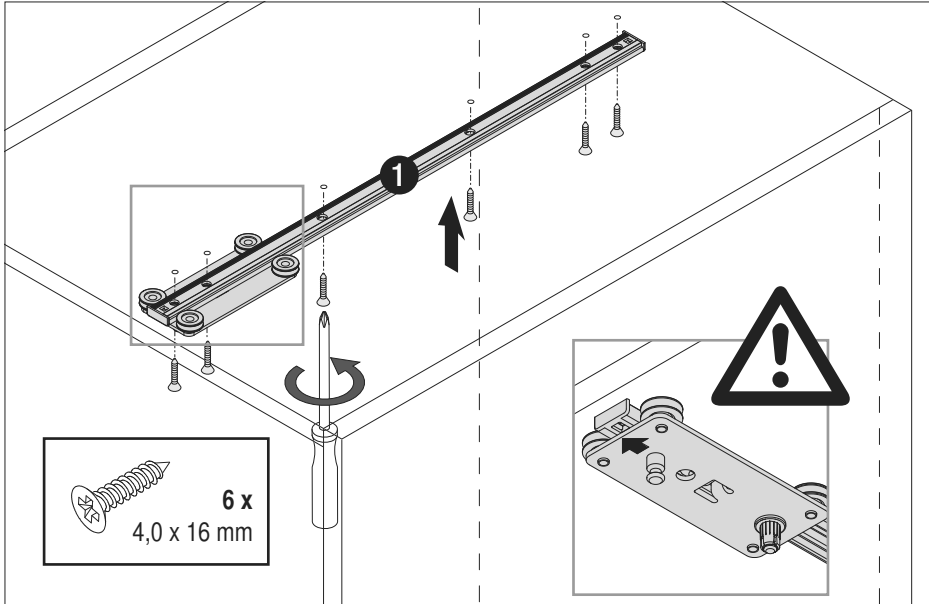




1



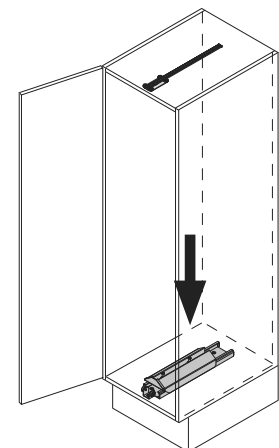
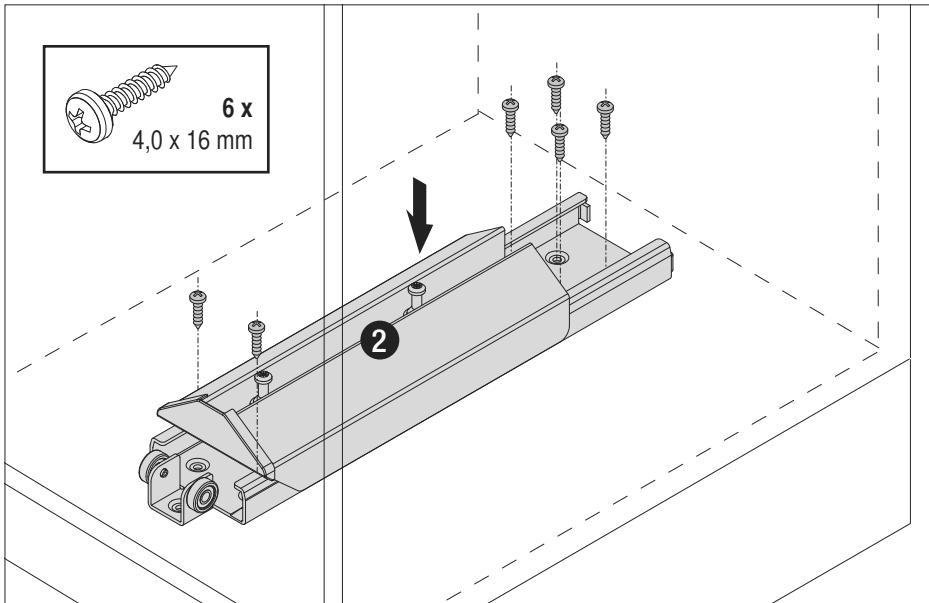
A



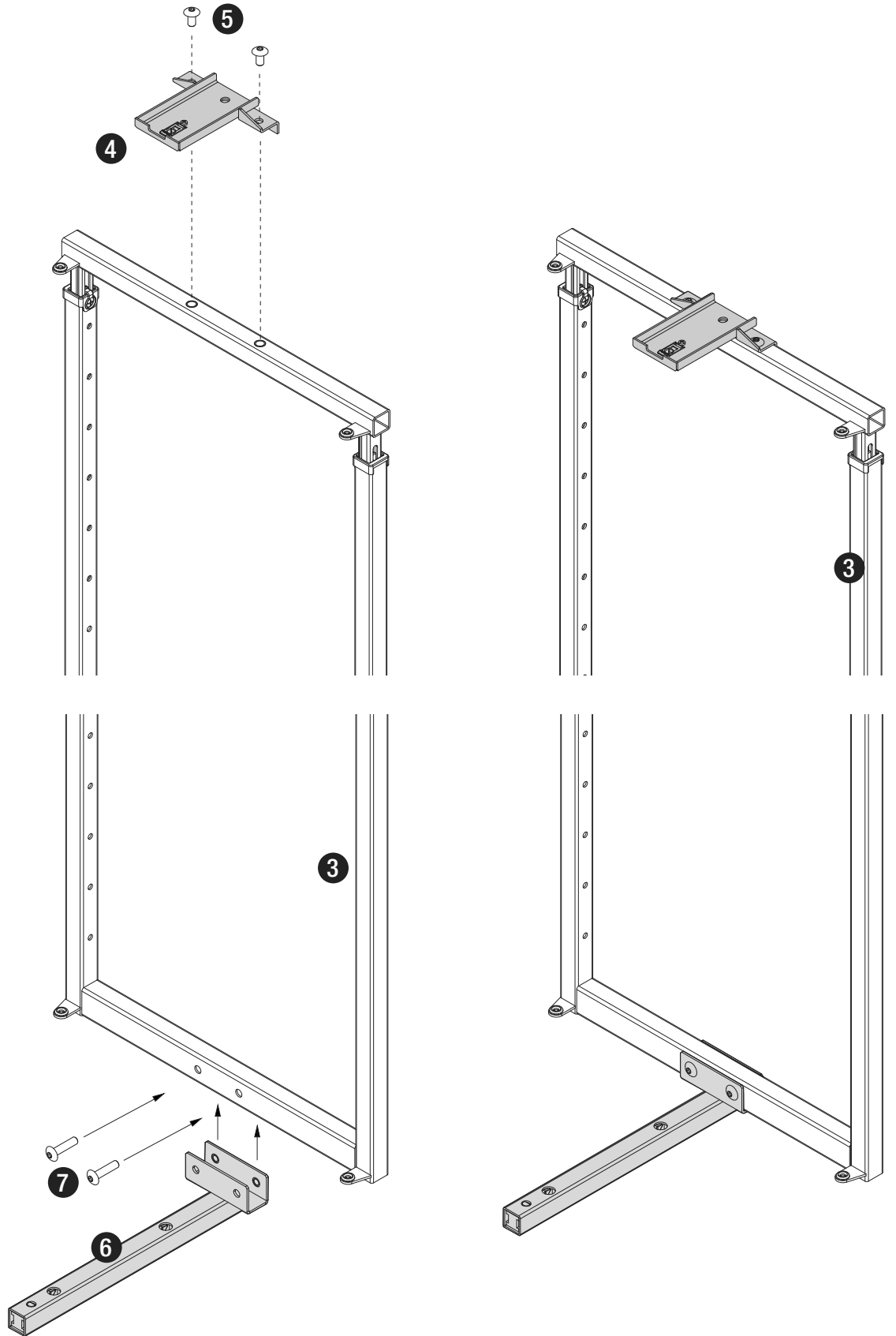
2



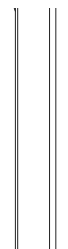
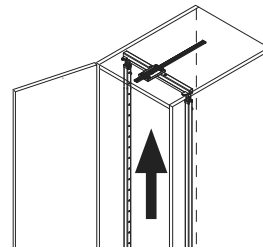
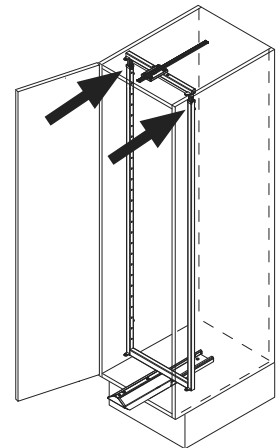
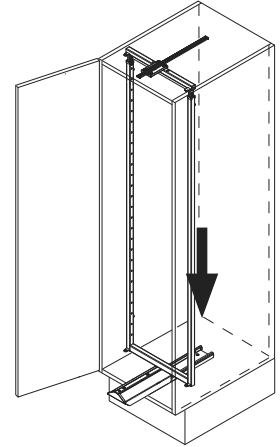
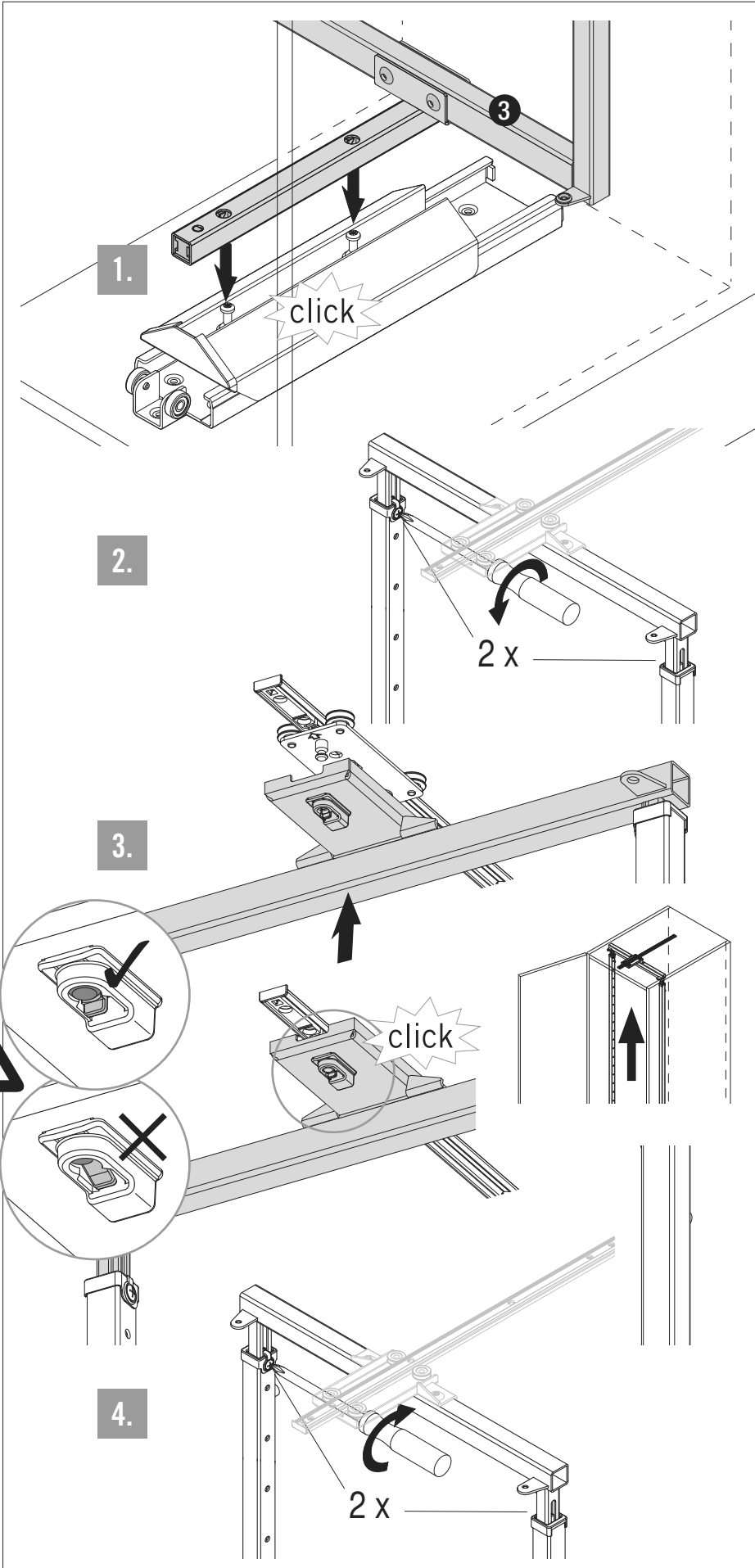
B



3



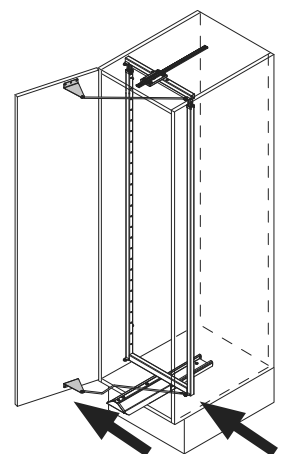
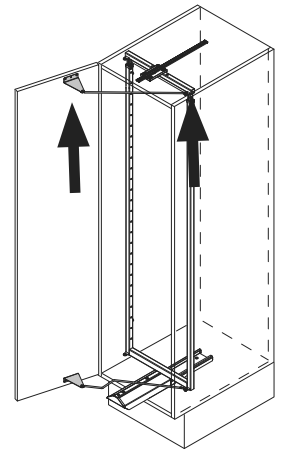
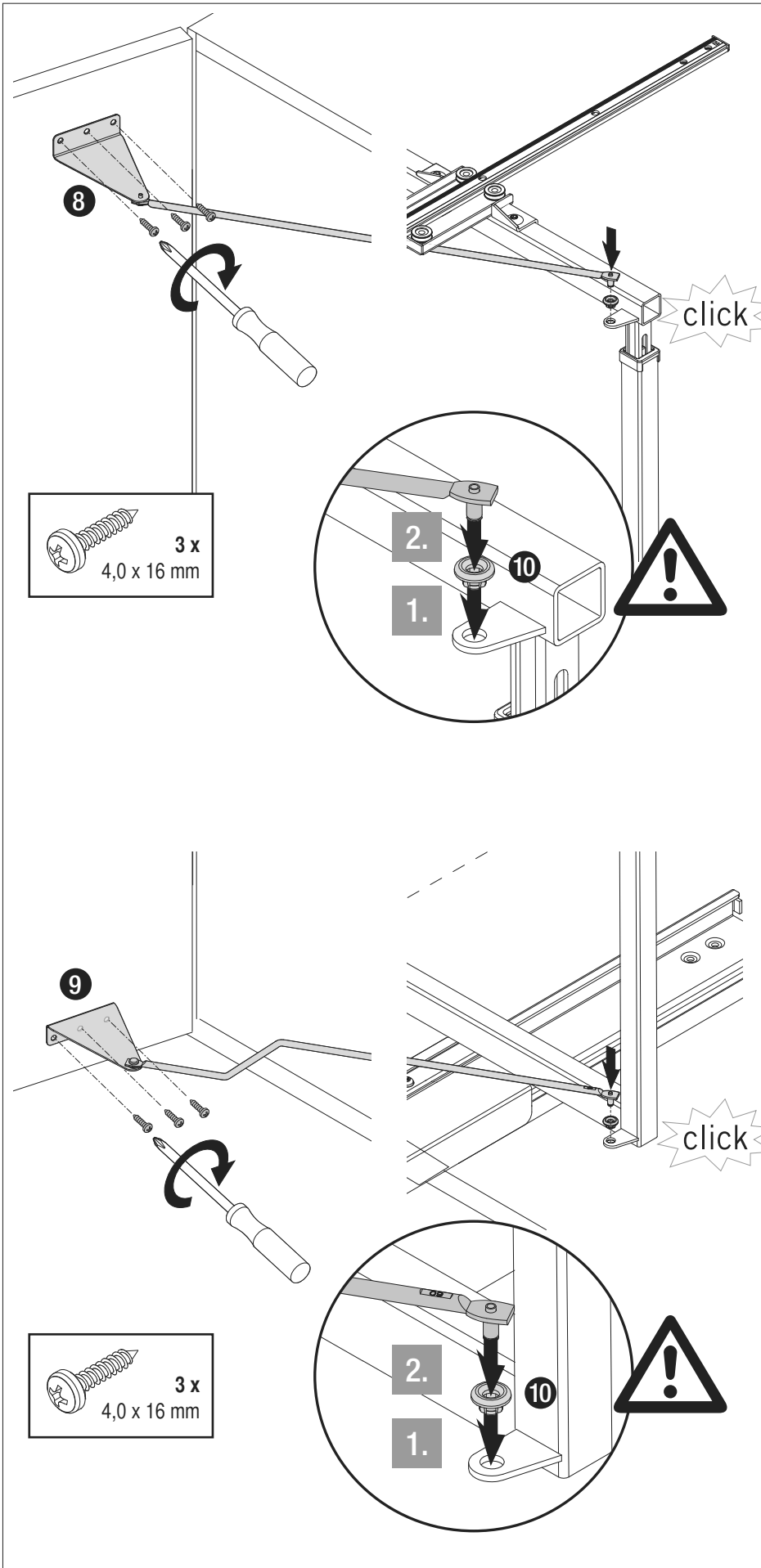
3

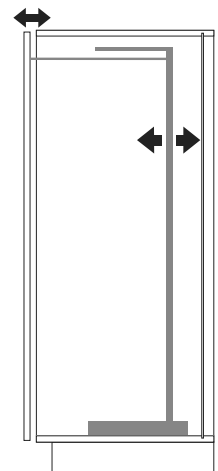
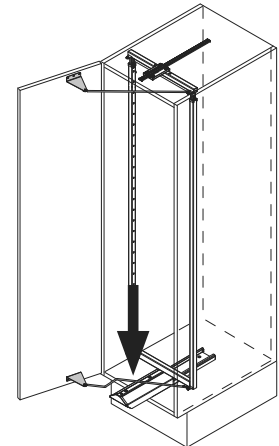
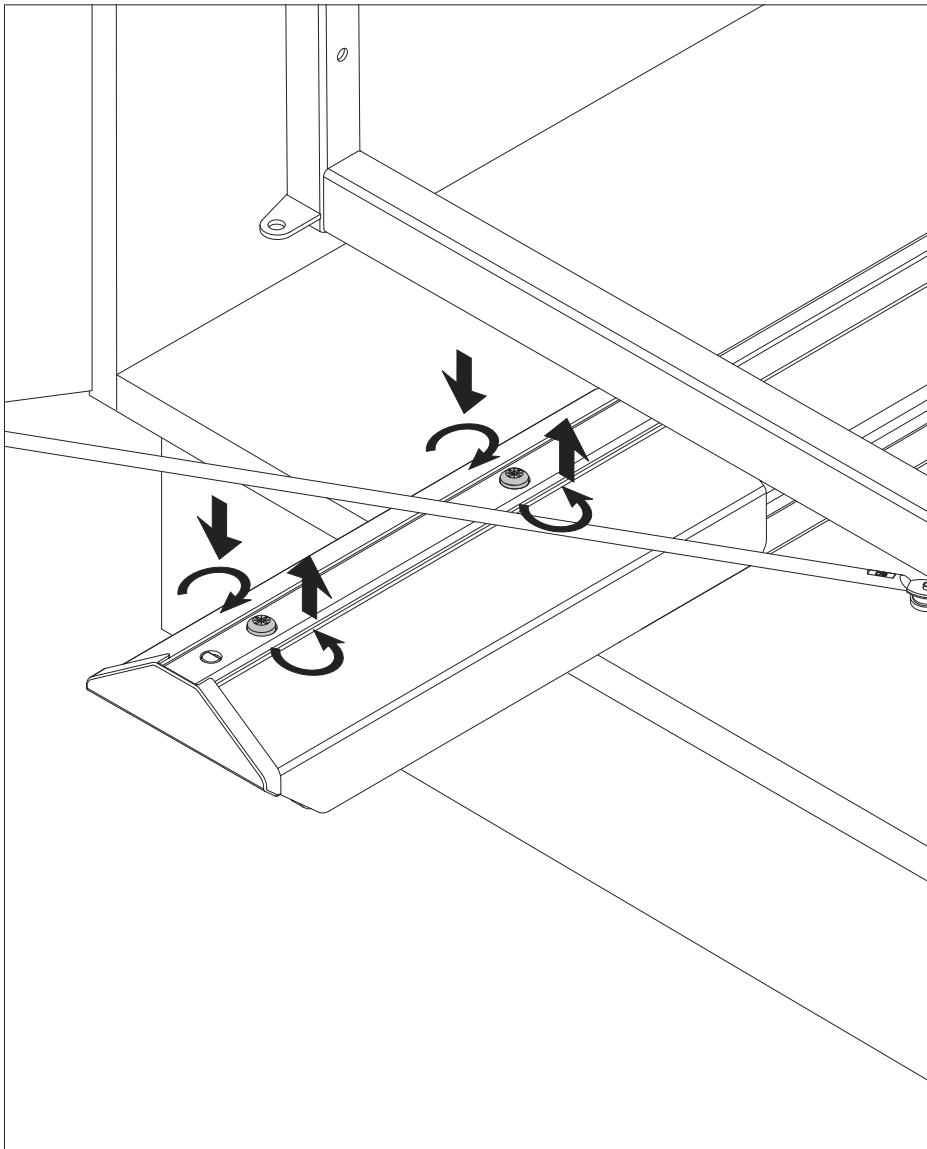
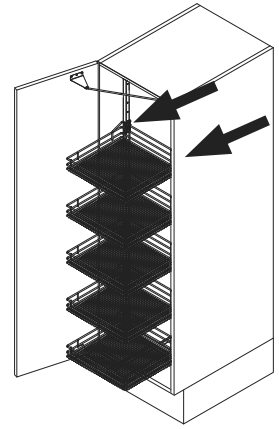
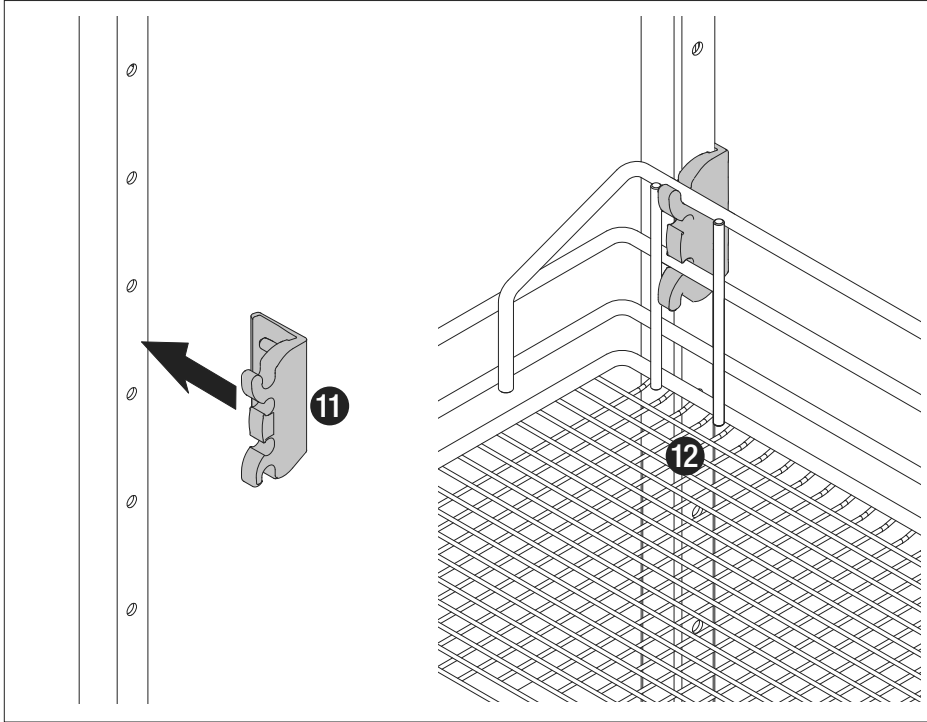


4



C

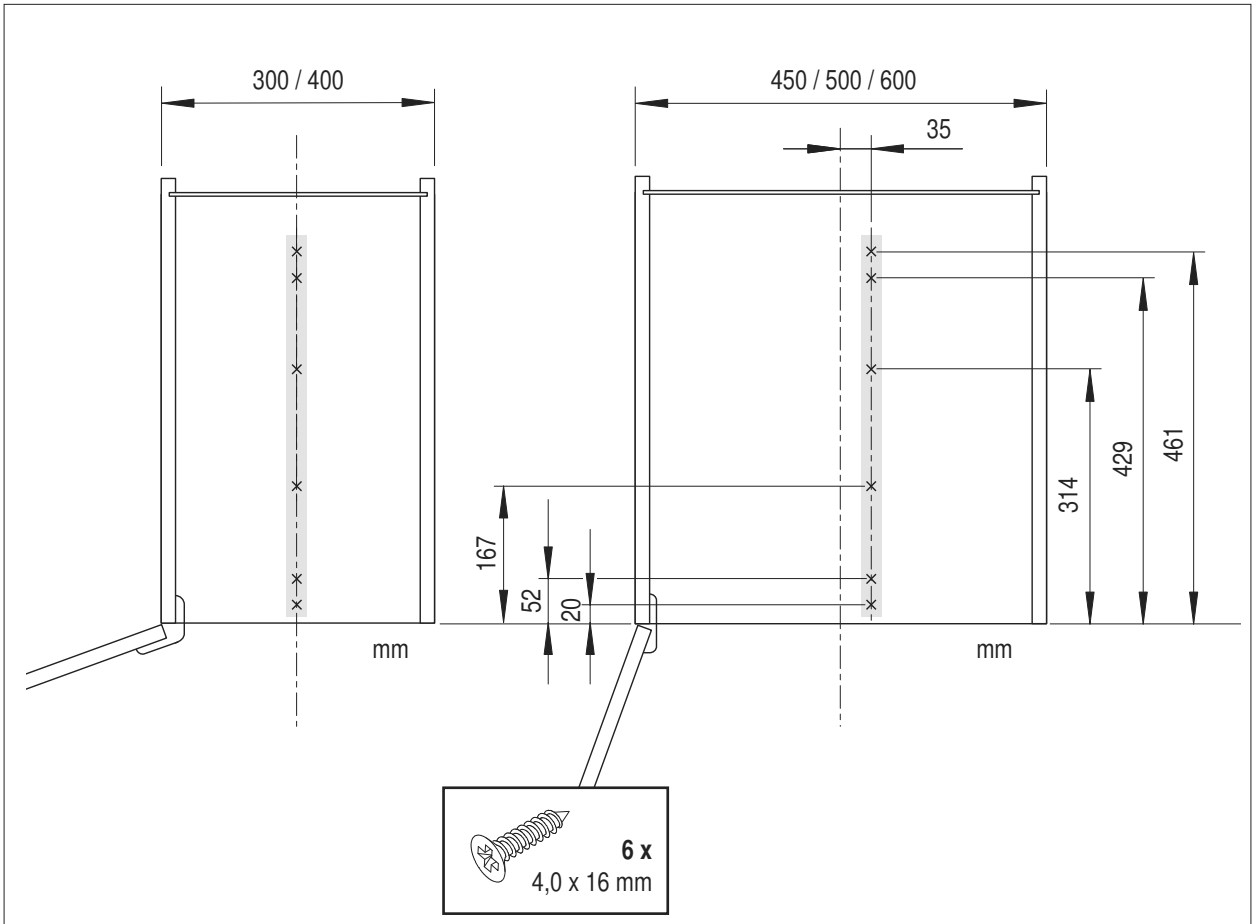




1



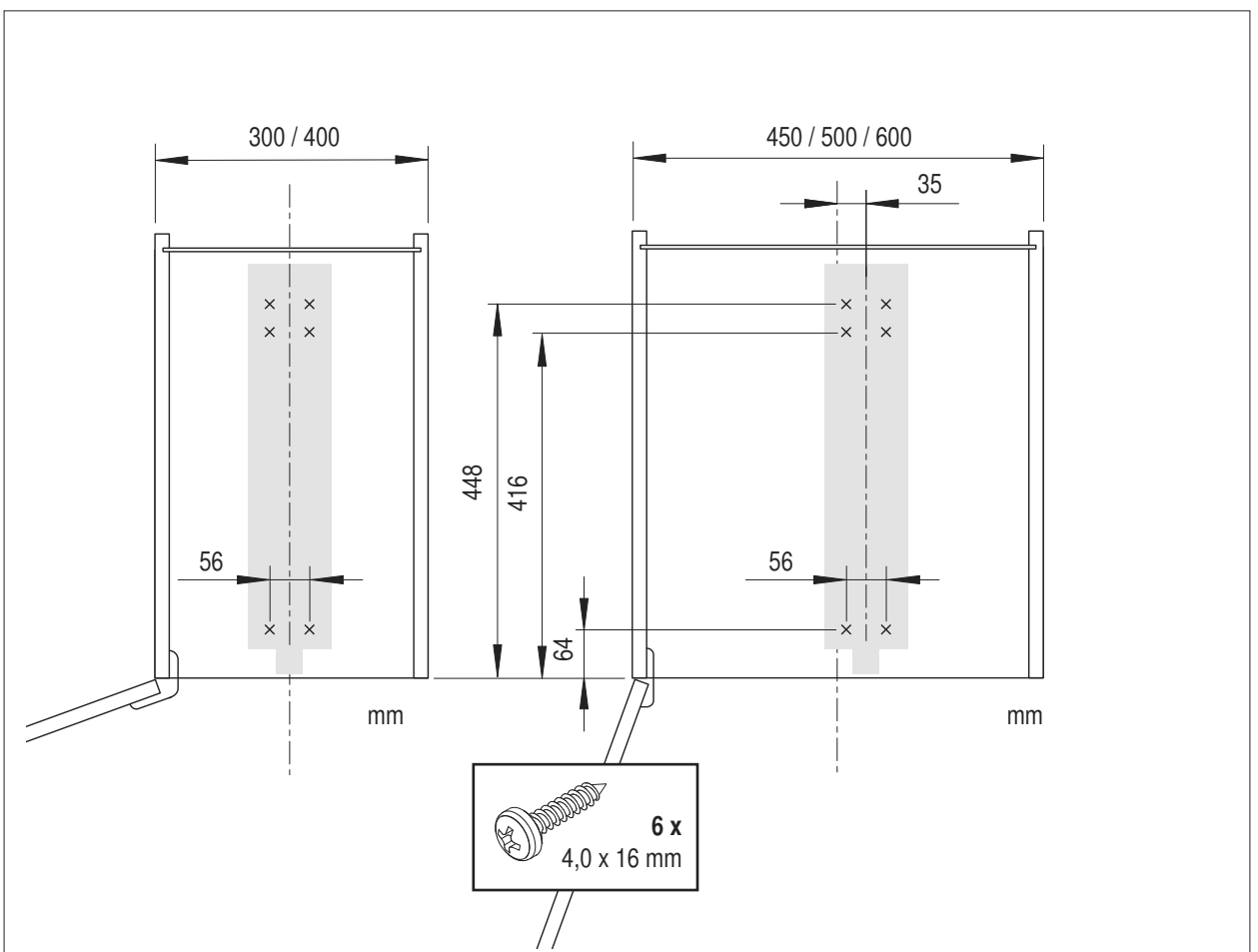
A



2



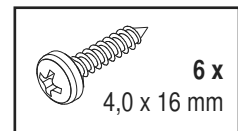
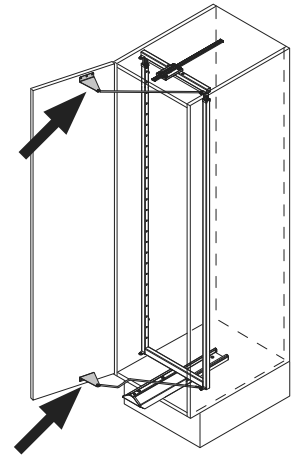
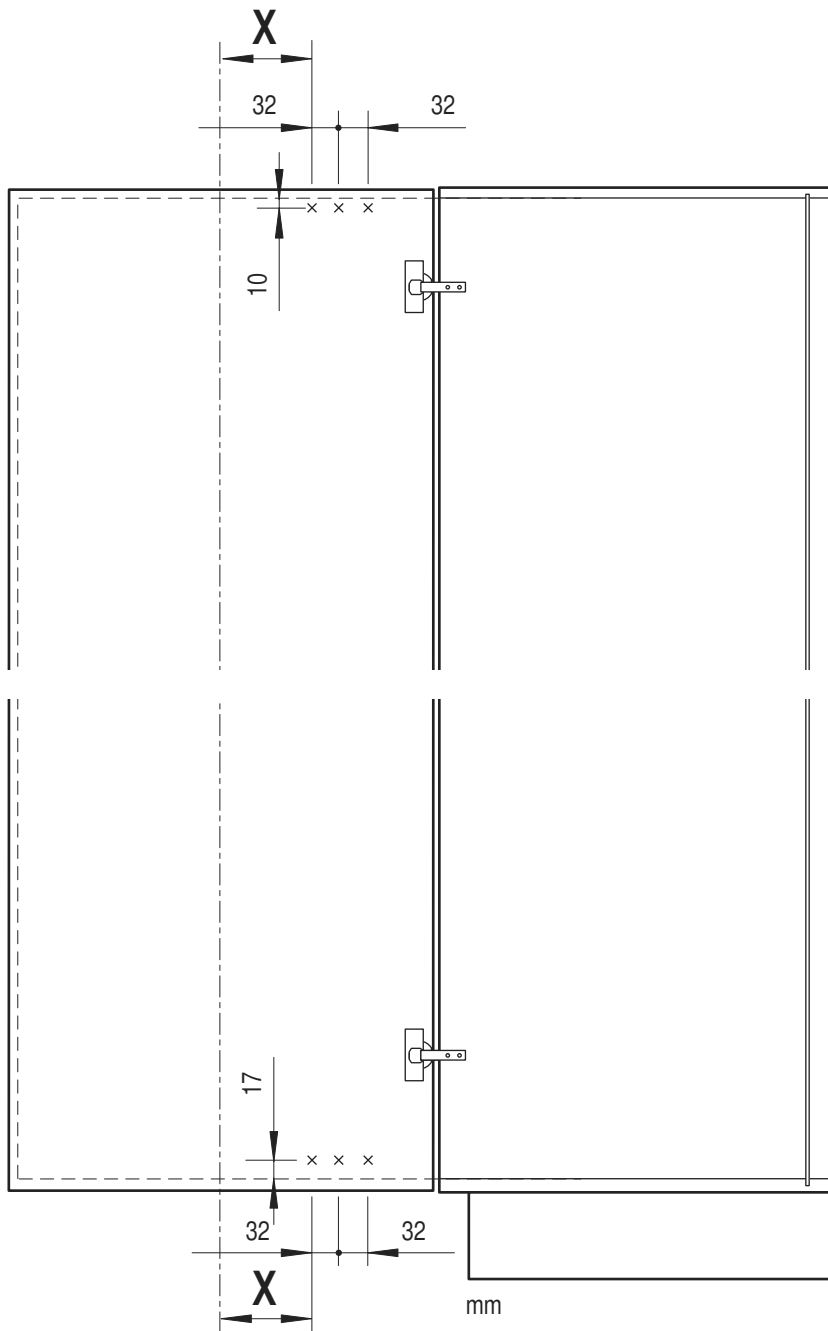
B



6



C



| | X |
|--------------|----------|
| K 300 | 41 |
| K 400 | 78 |
| K 450 | 80 |
| K 500 | 96 |
| K 600 | 133 |

mm