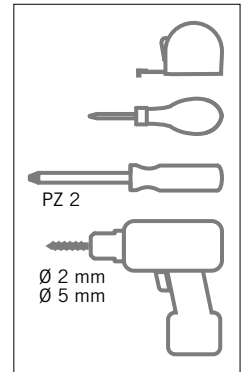
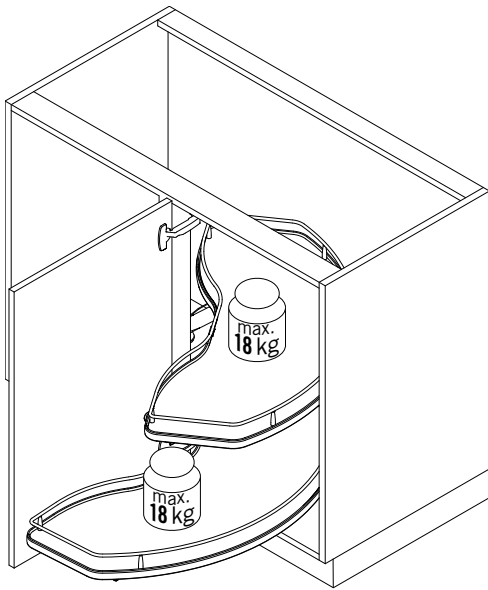


VS CORNERSTONE® Swing

**VAUTH
SAGEL**



Option

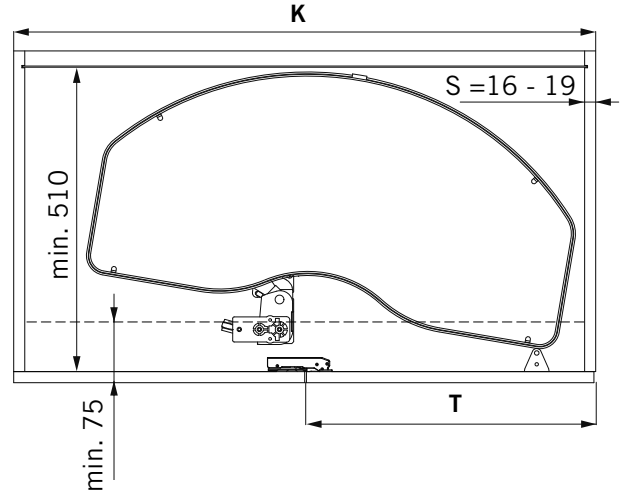
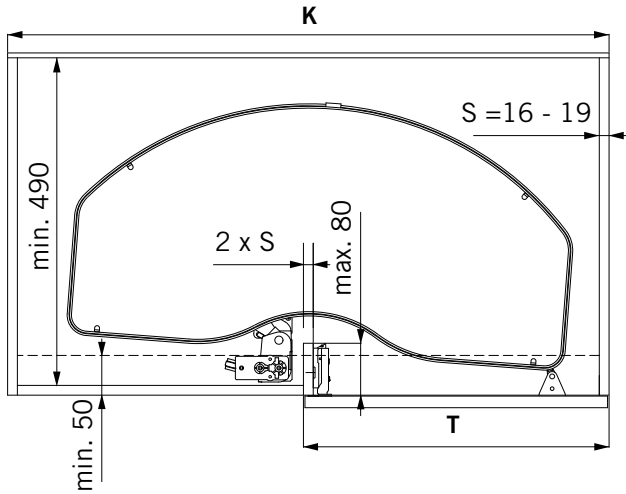
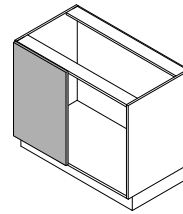
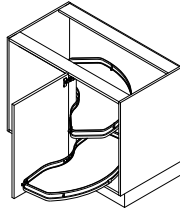
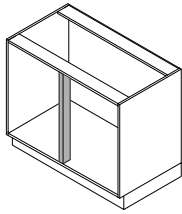
6

5

12

13

(8 x) 6.3 x 10.5	(1 x) 6.3 x 13.5	(2 x) M5 x 16	(10 x) 4 x 15

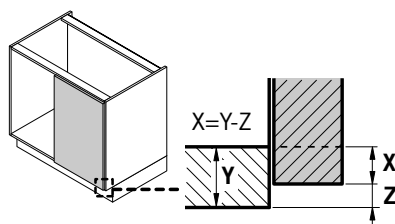
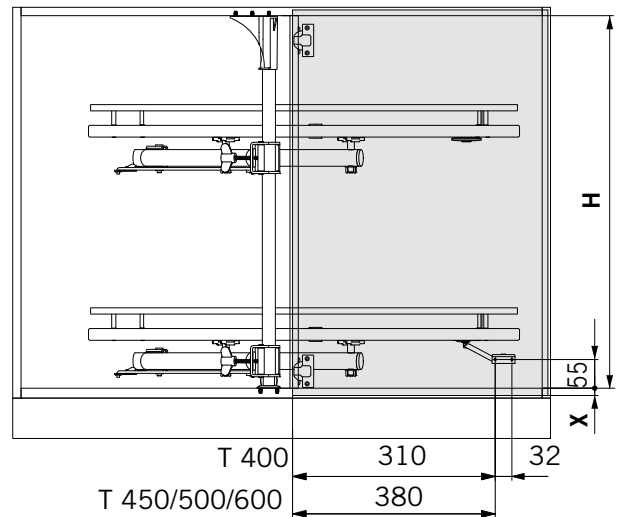
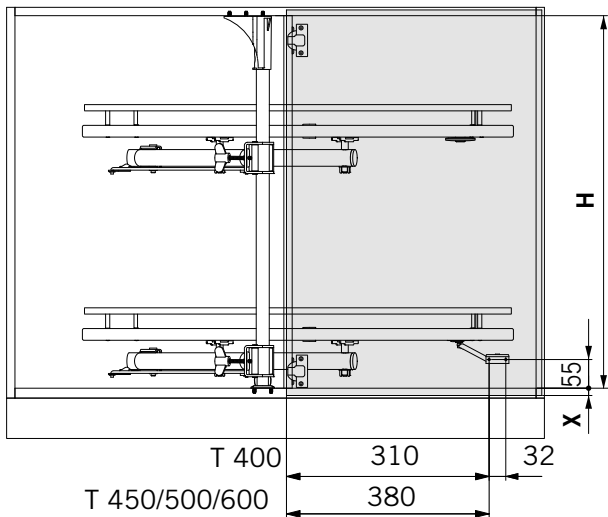


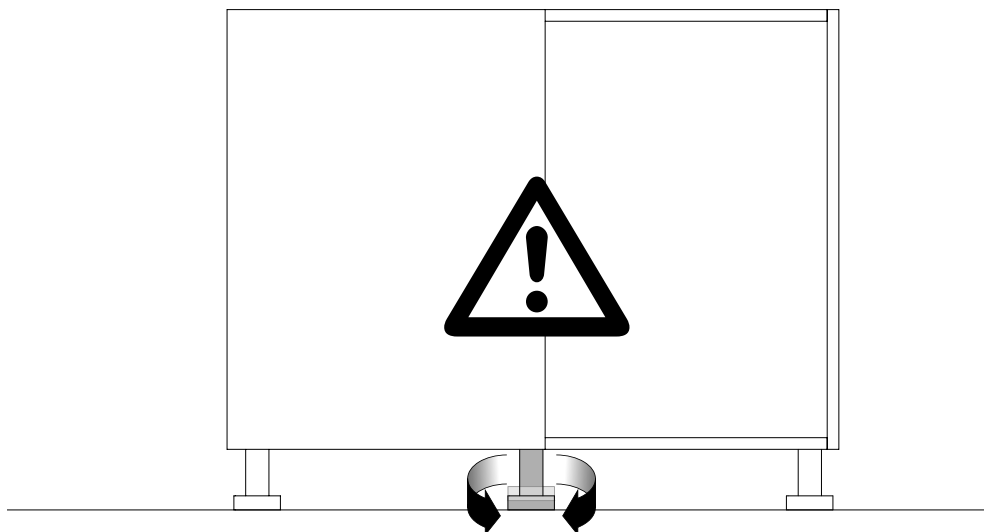
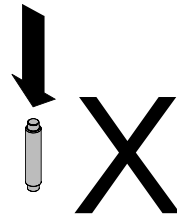
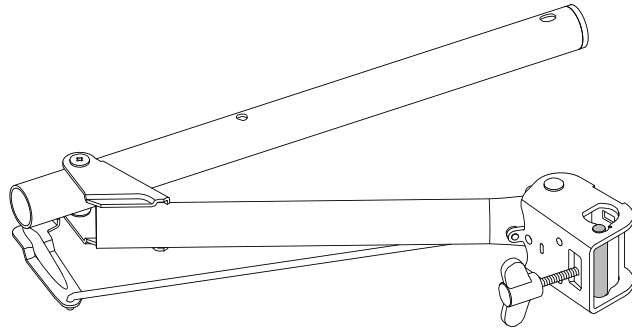
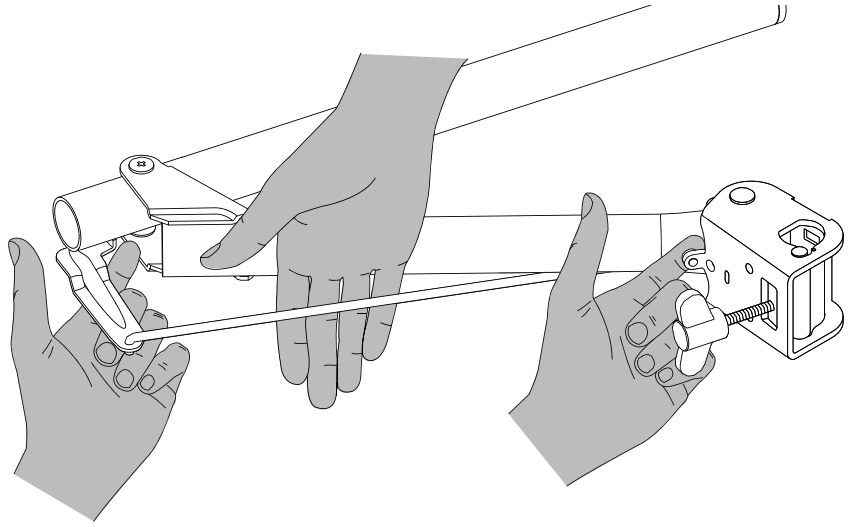
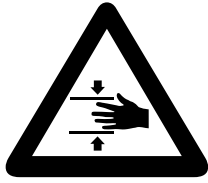
K	T
800	400
900	450
1000	500
1000	600

H
610 - 650
651 - 690
691 - 730
731 - 770

K	T
800	400
900	450
1000	500
1000	600

H
610 - 650
651 - 690
691 - 730
731 - 770

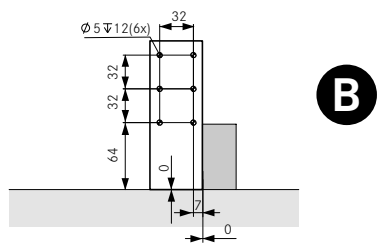
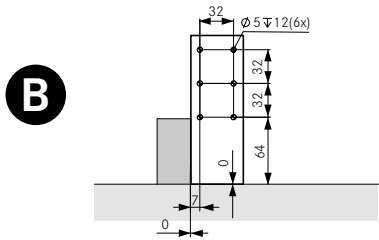
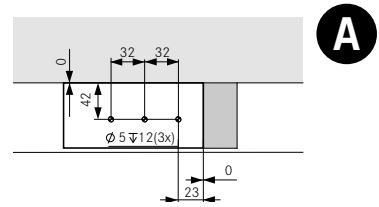
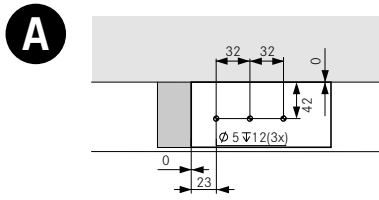
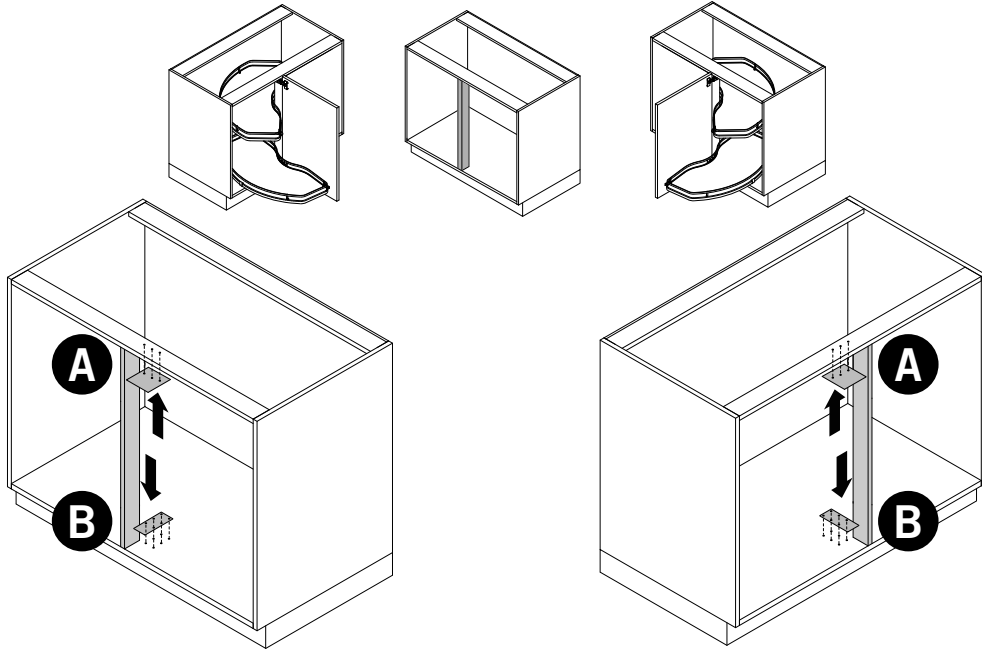




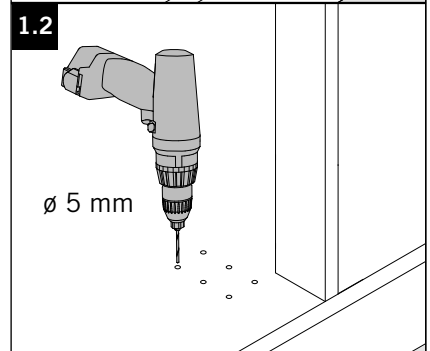
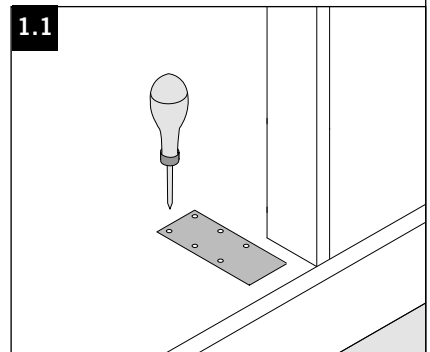
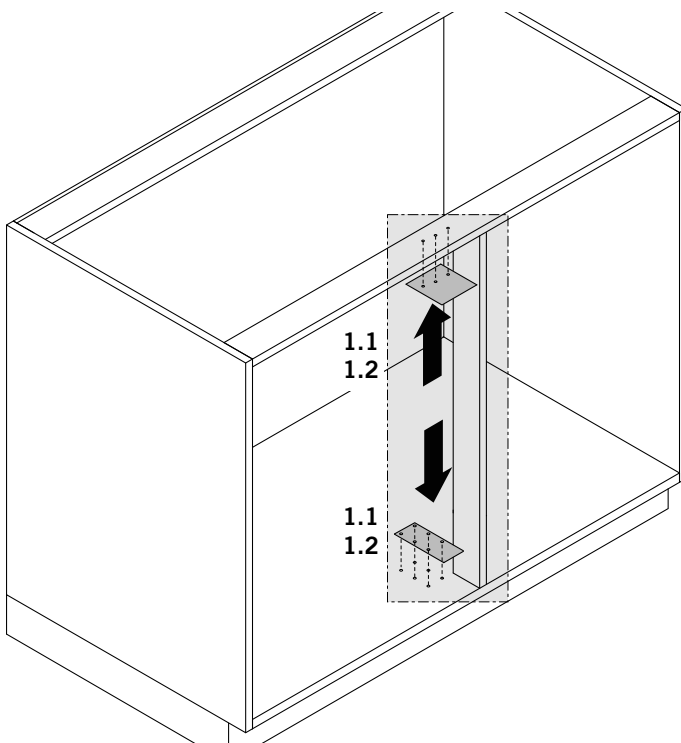
1



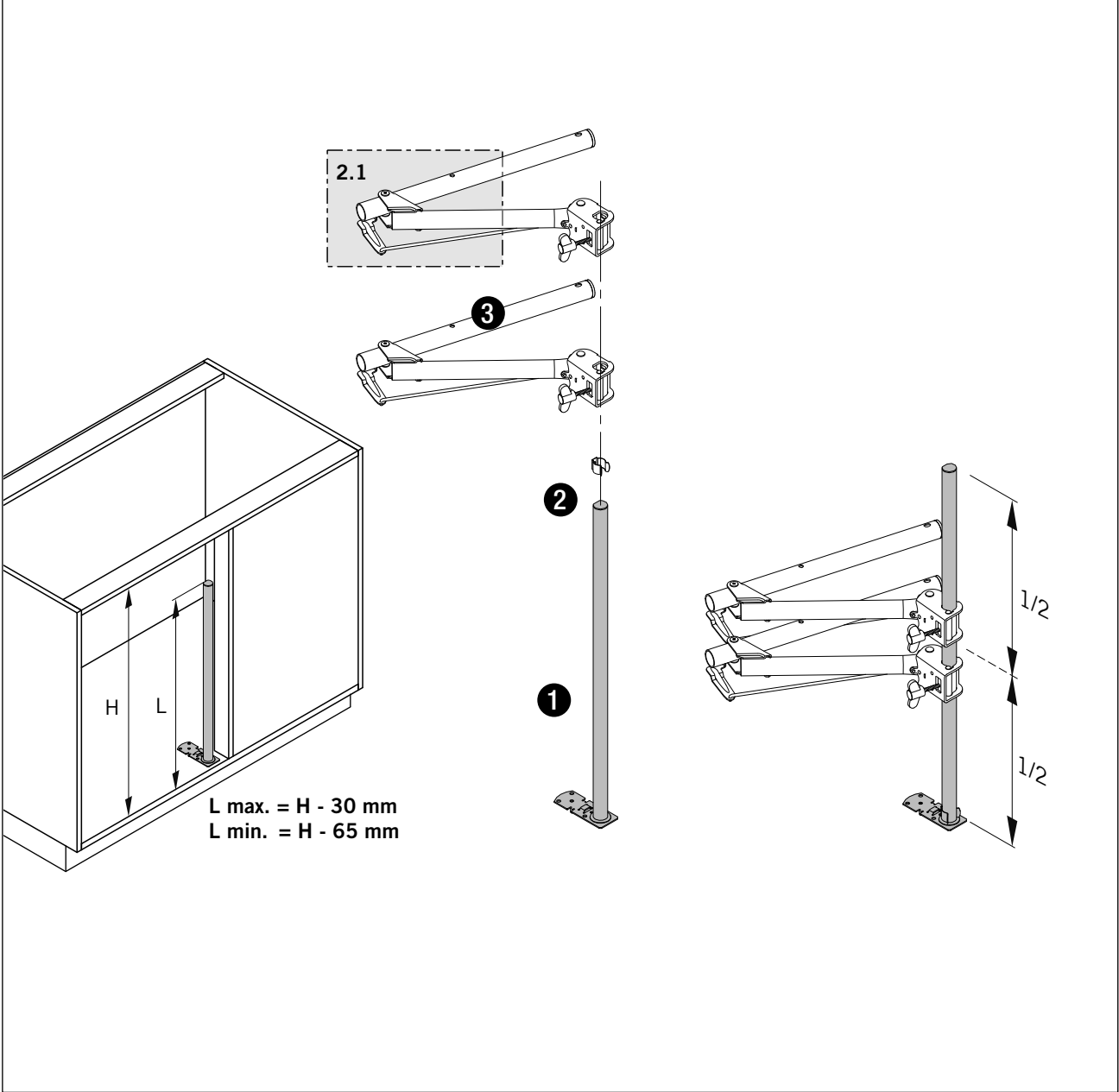
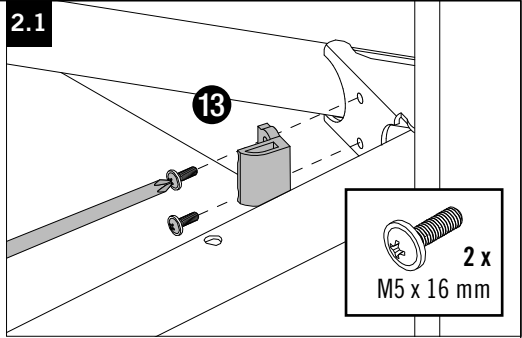
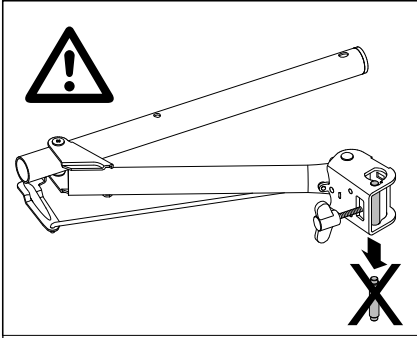
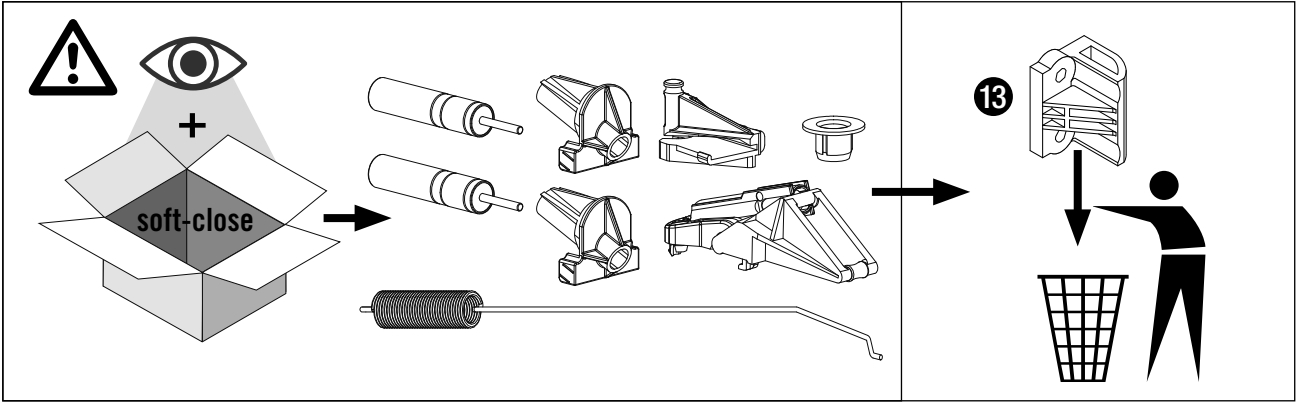
Ø 5 mm



T1
T2



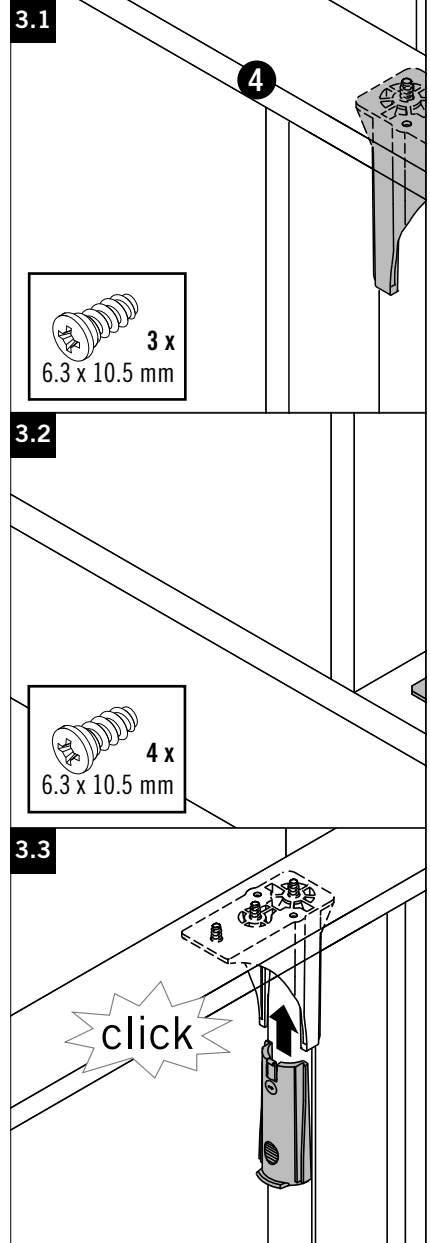
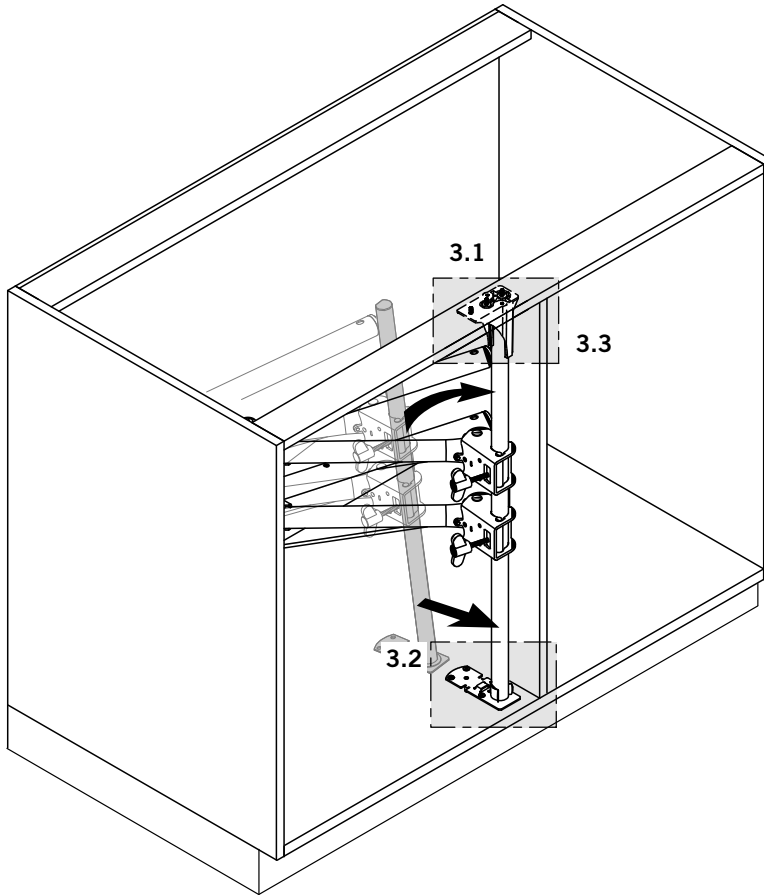
2



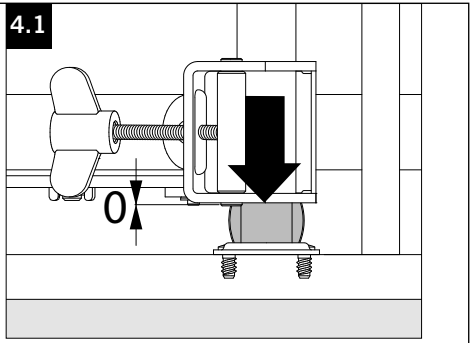
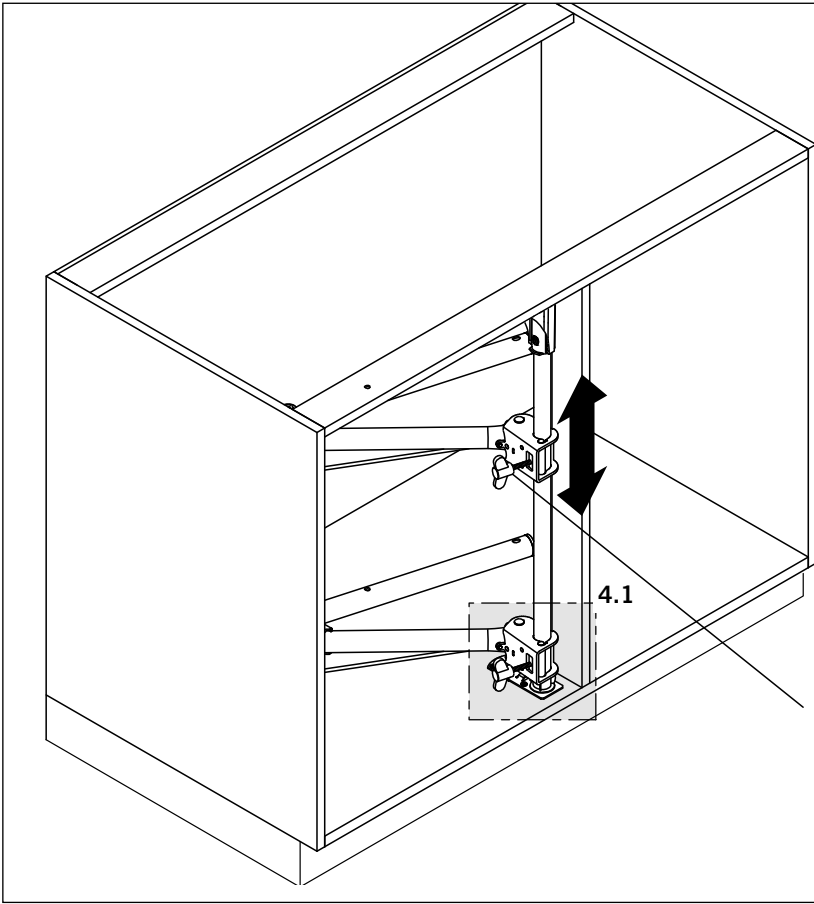
3



PZ 2



4

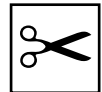


 min. 4 Nm

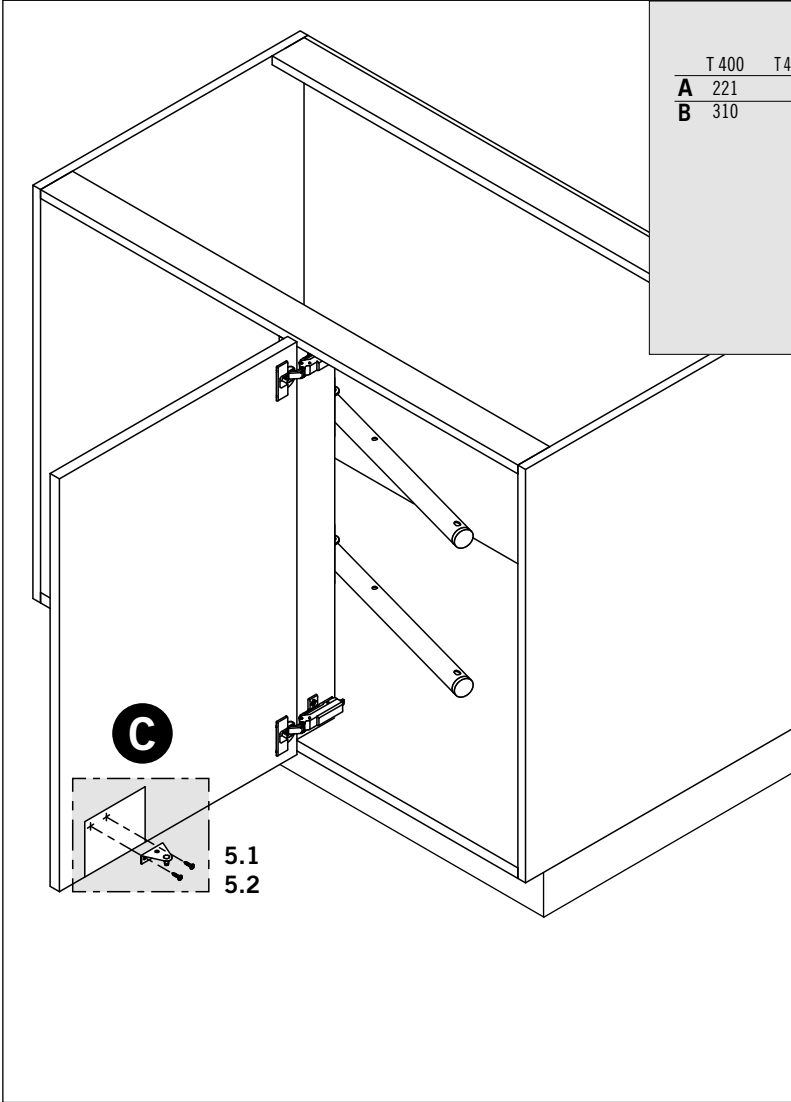
5




PZ 2



T3

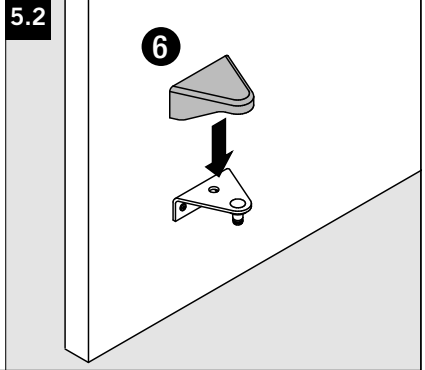
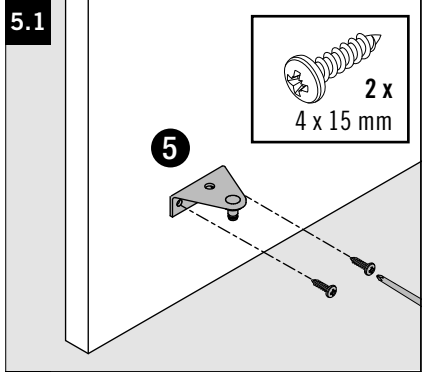


	T 400	T 450/500/600
A	221	291
B	310	380

 $\varnothing 2 \nabla 10 (2x)$

C 55+X

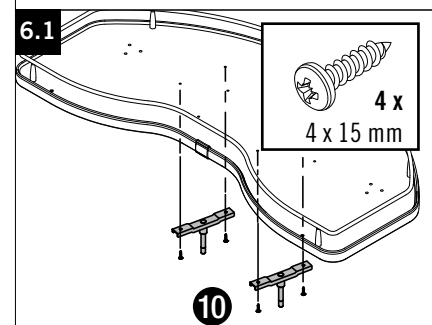
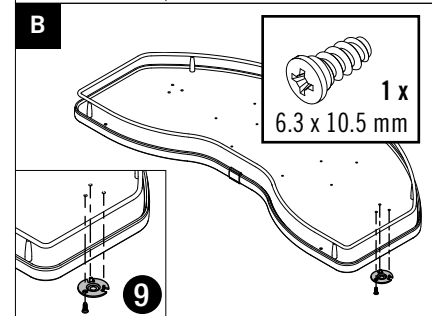
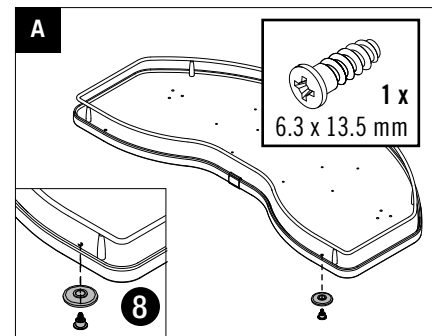
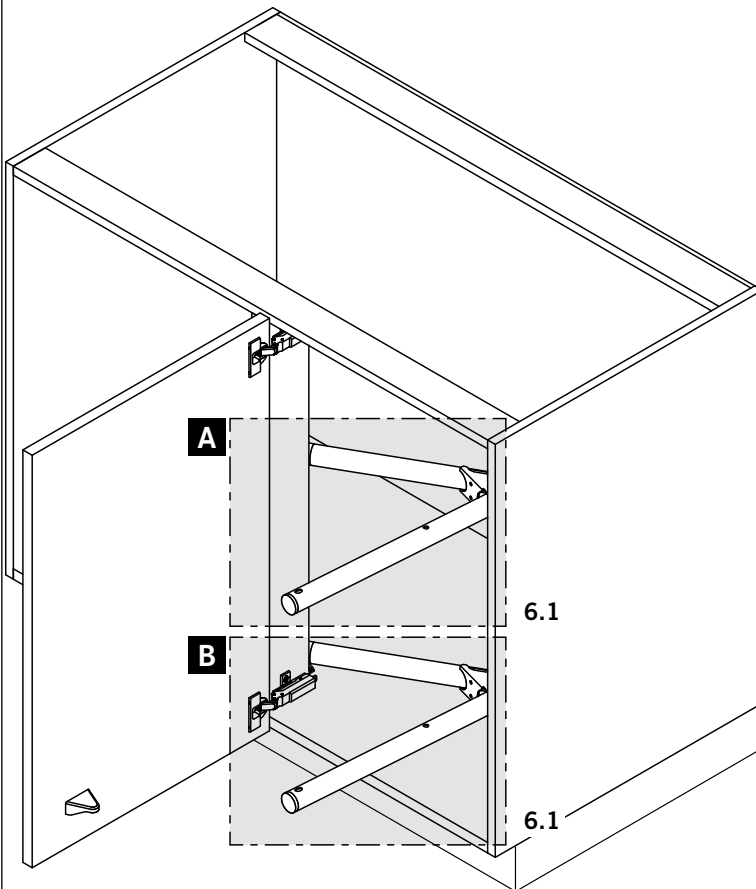
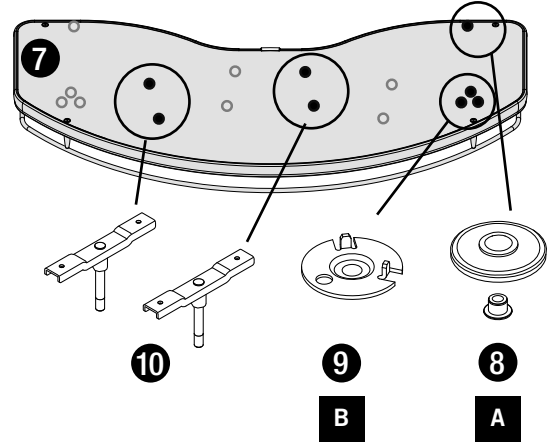
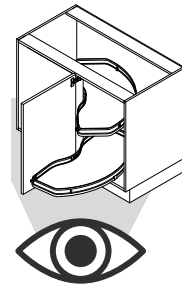
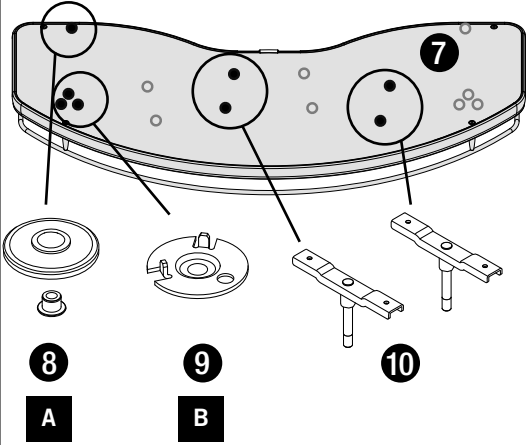
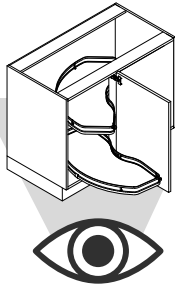
32 A B X



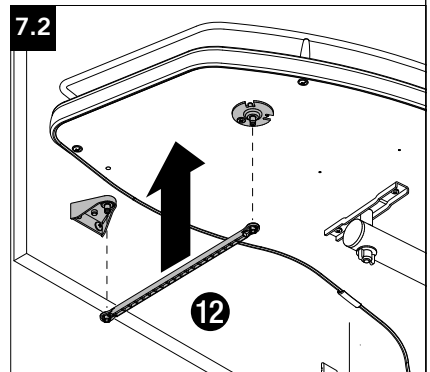
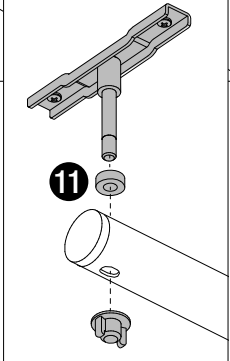
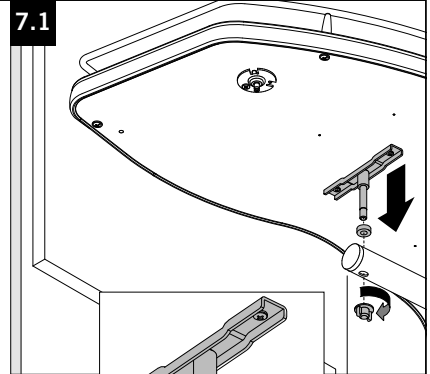
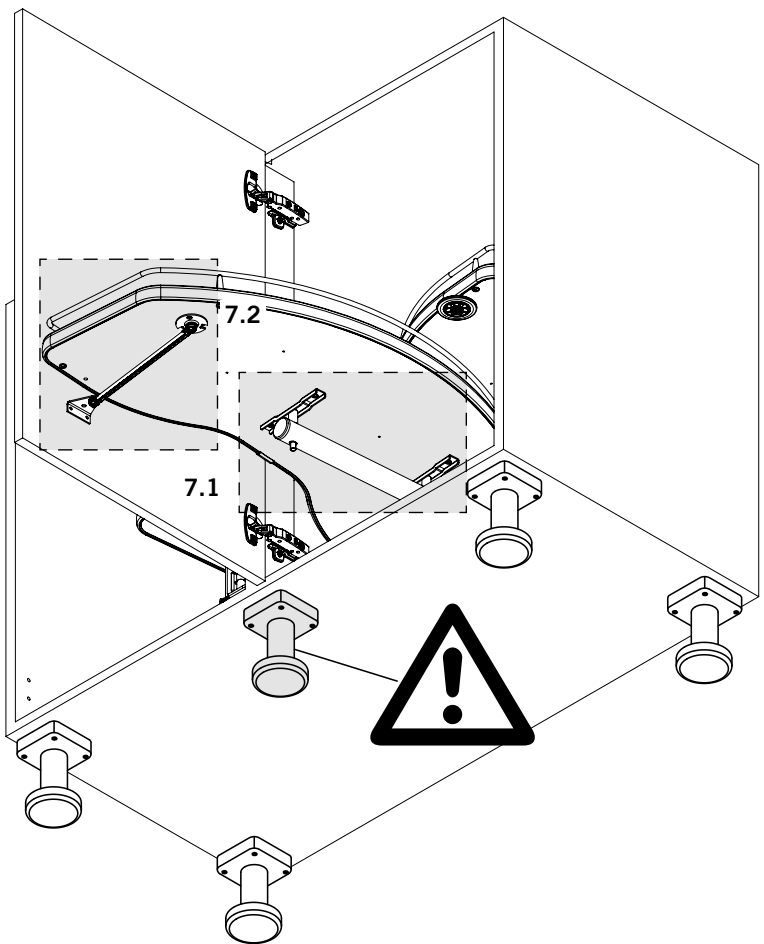
6



PZ 2



7

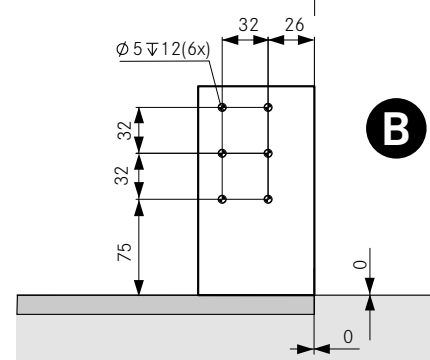
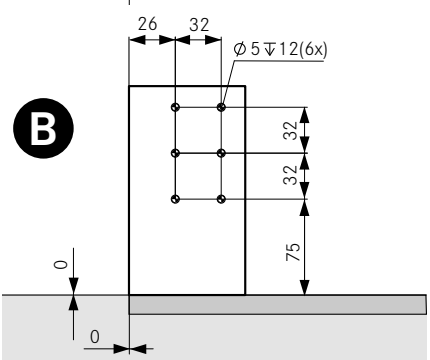
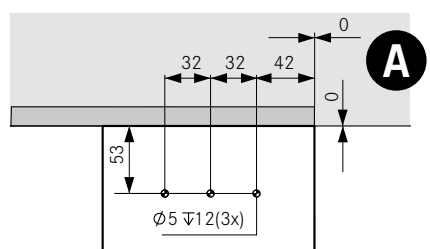
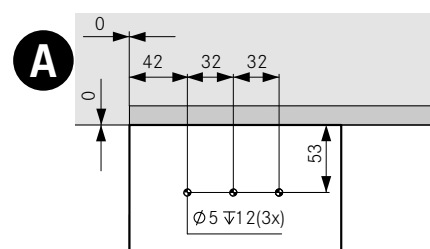
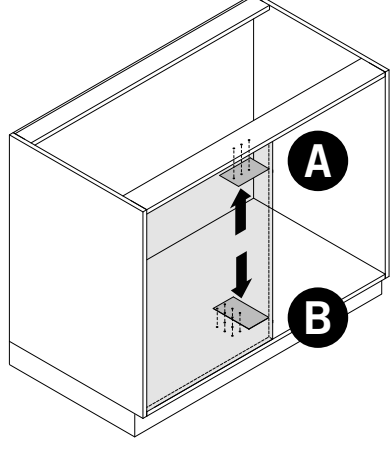
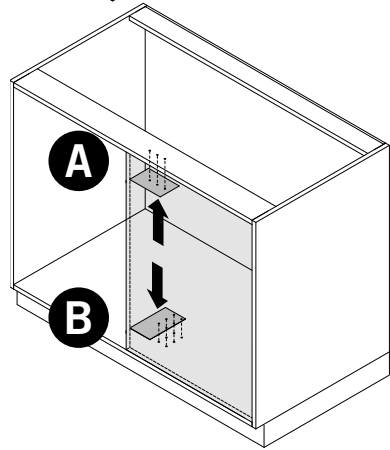
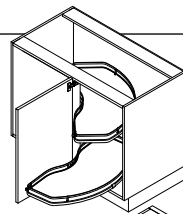
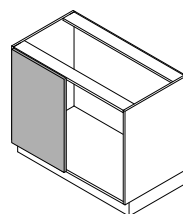
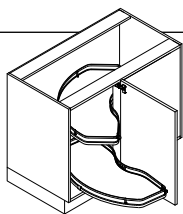


12

1



Ø 5 mm



2



7



T4
T5
T6

