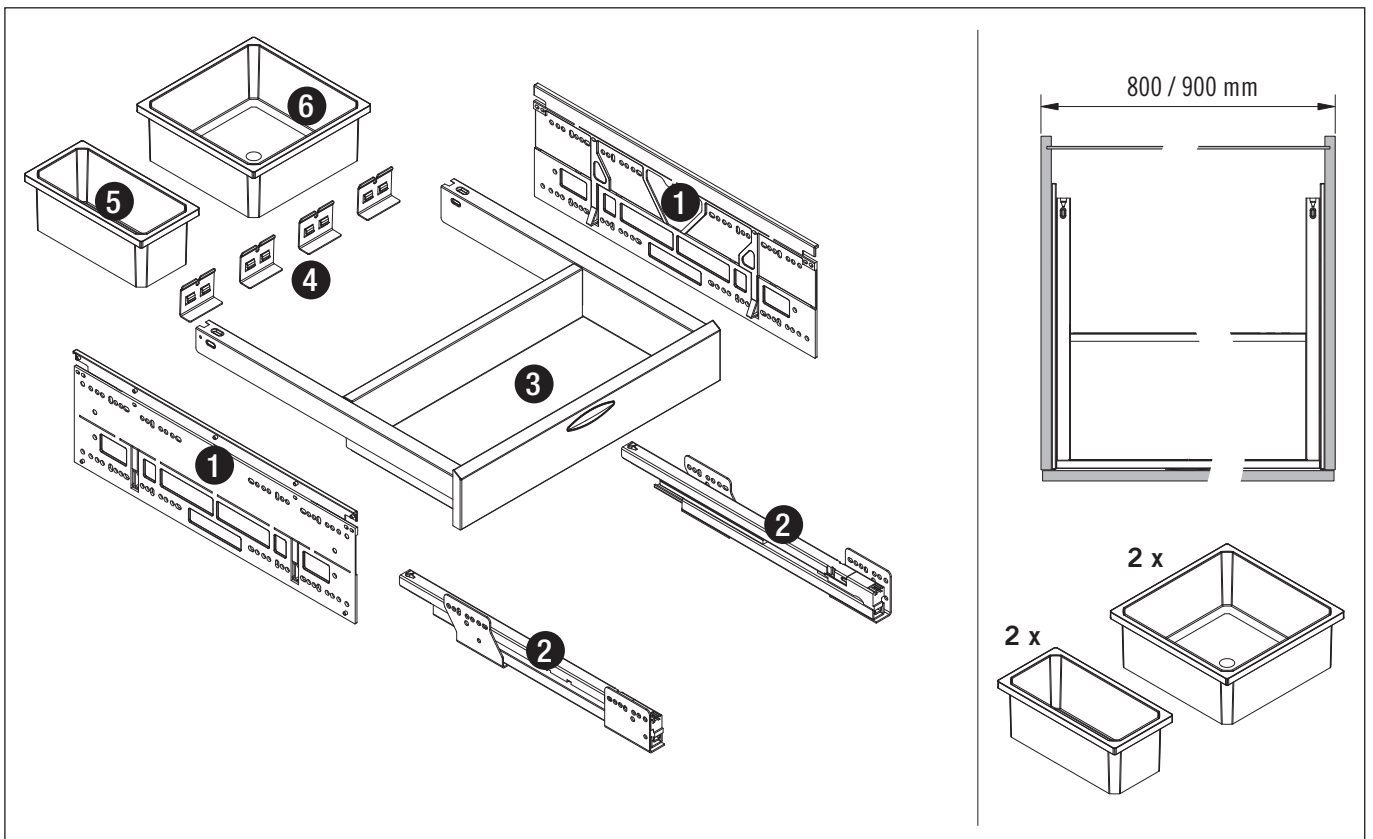
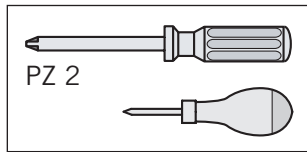
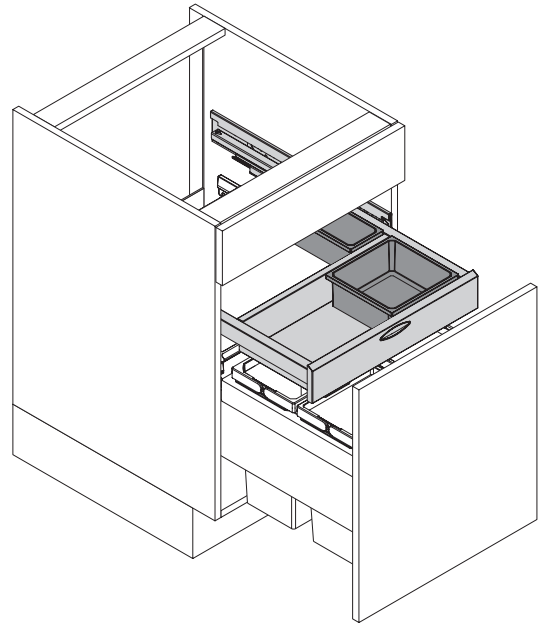
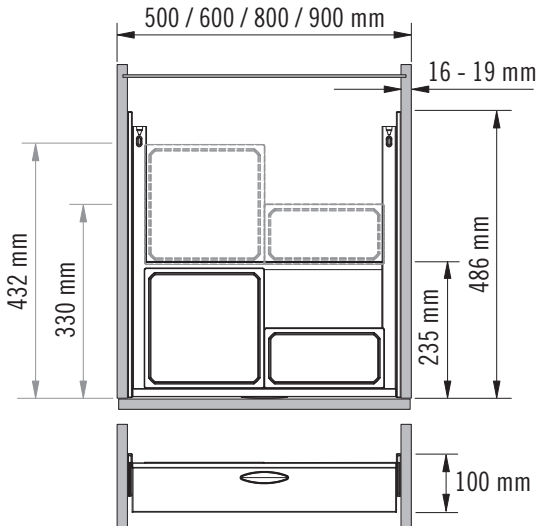


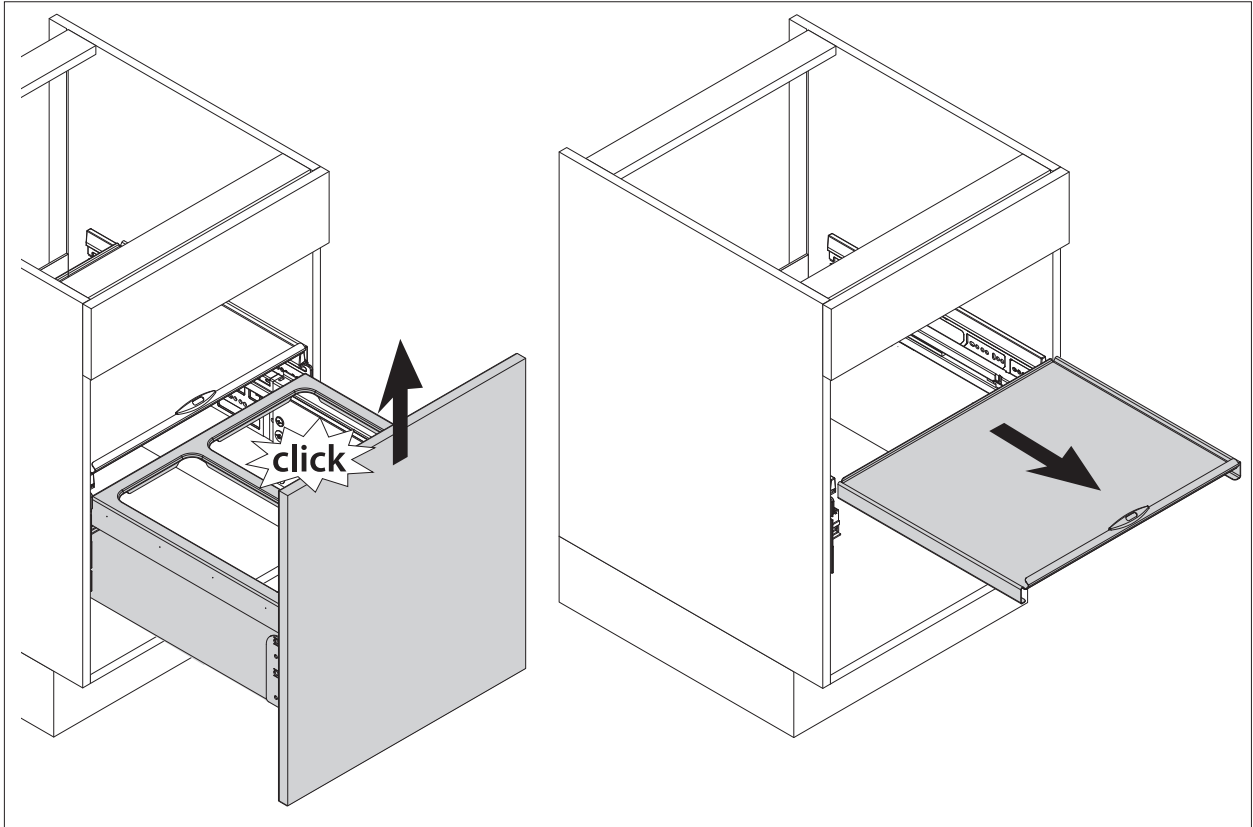
07 / 2019



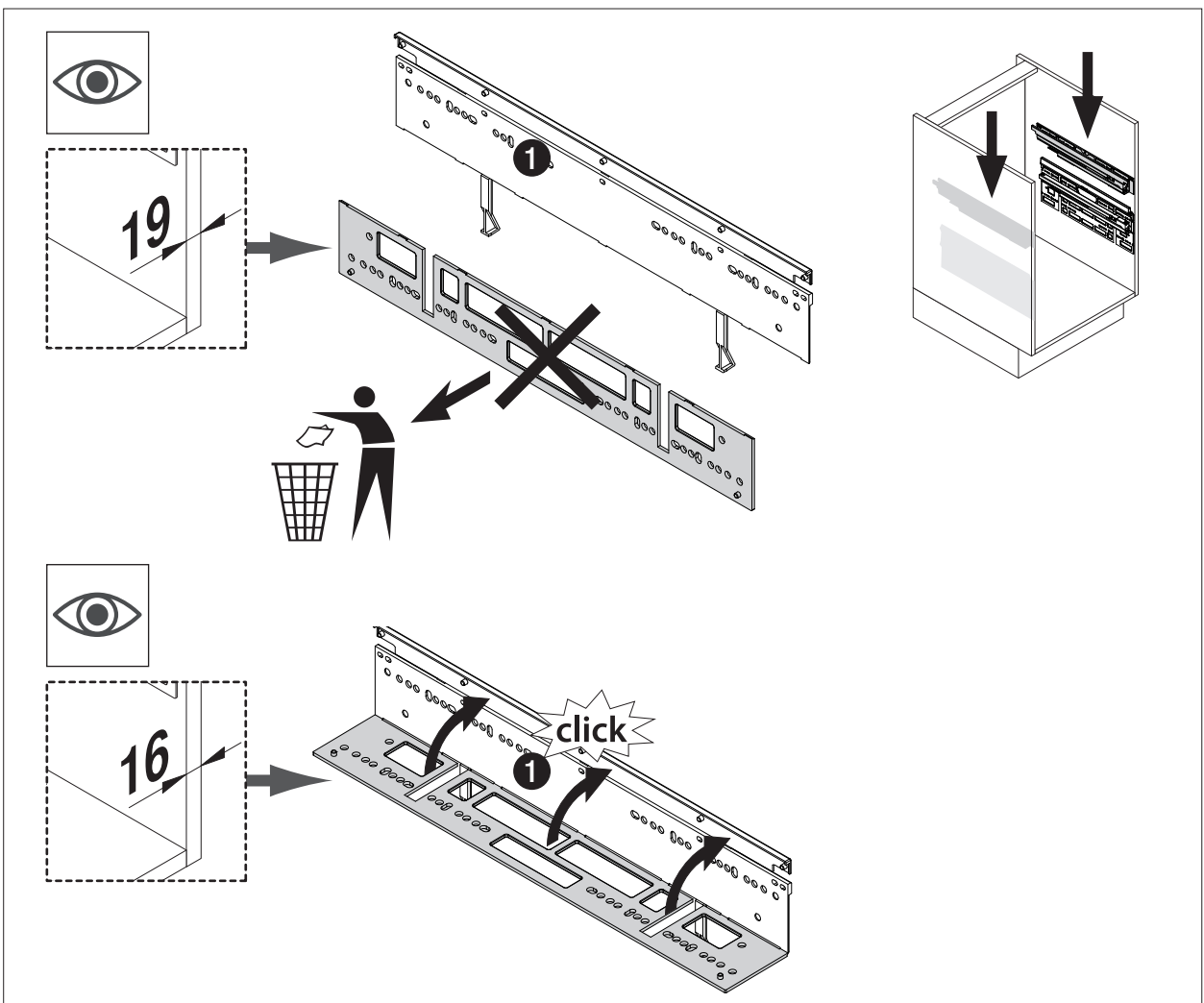
VS ENVI® Drawer



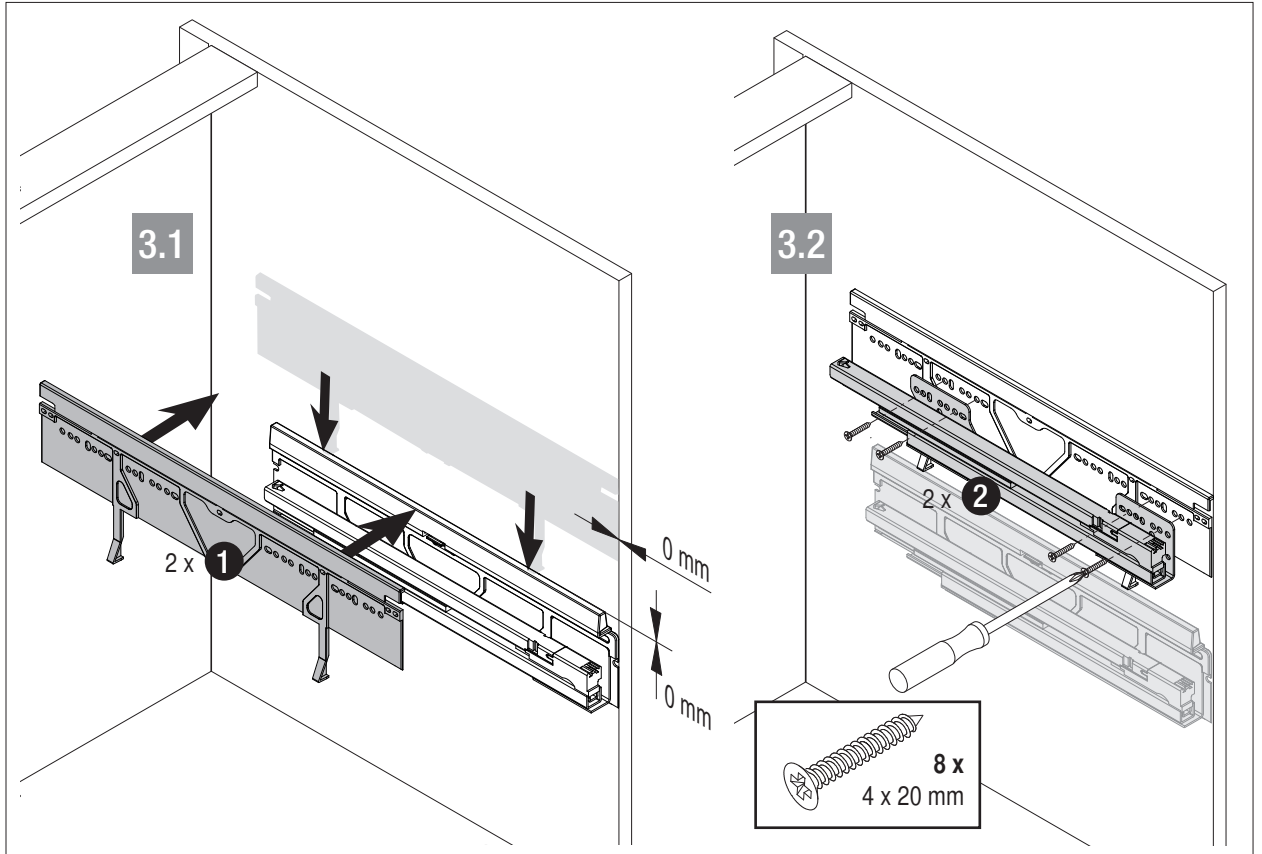
1



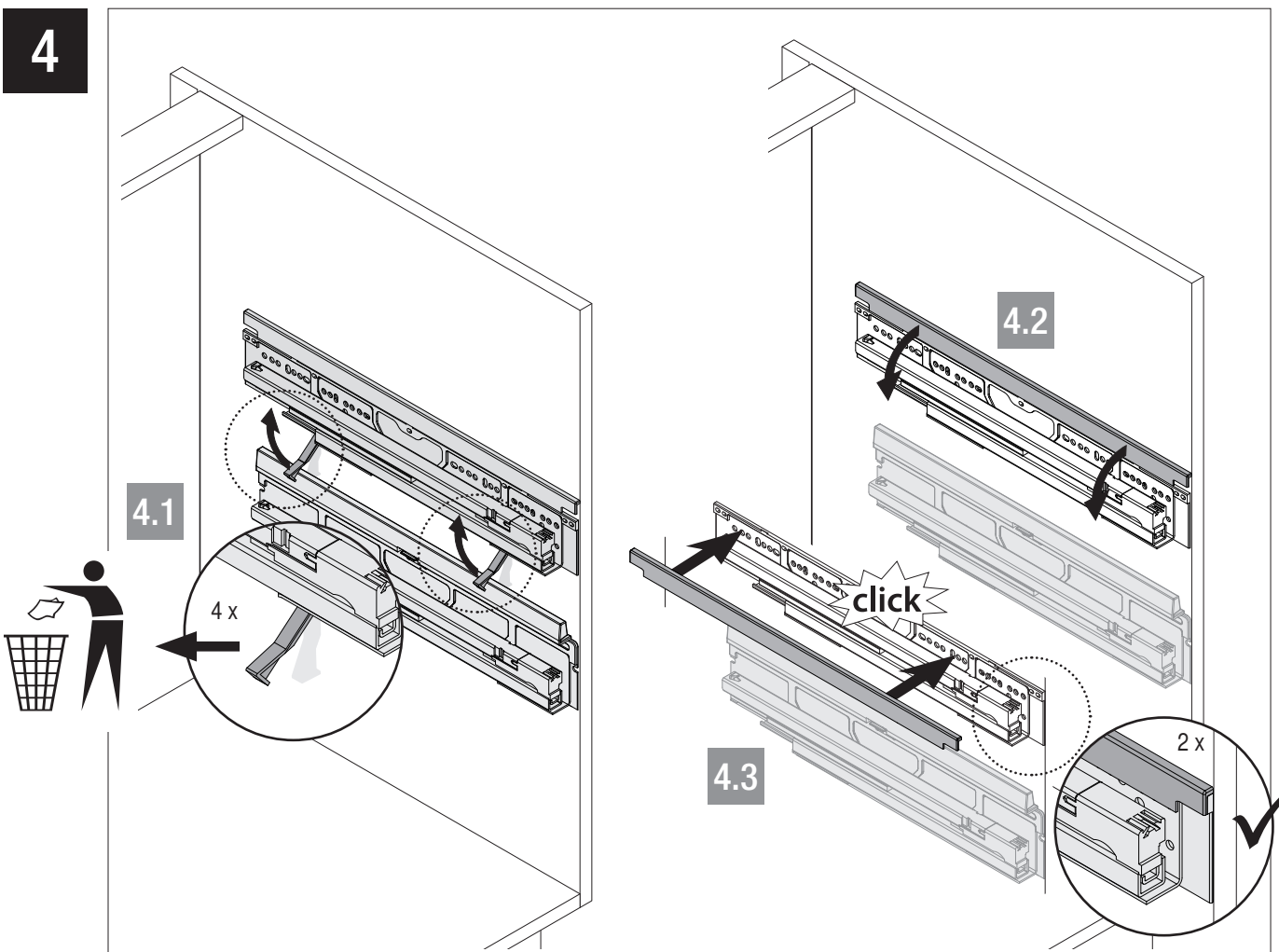
2



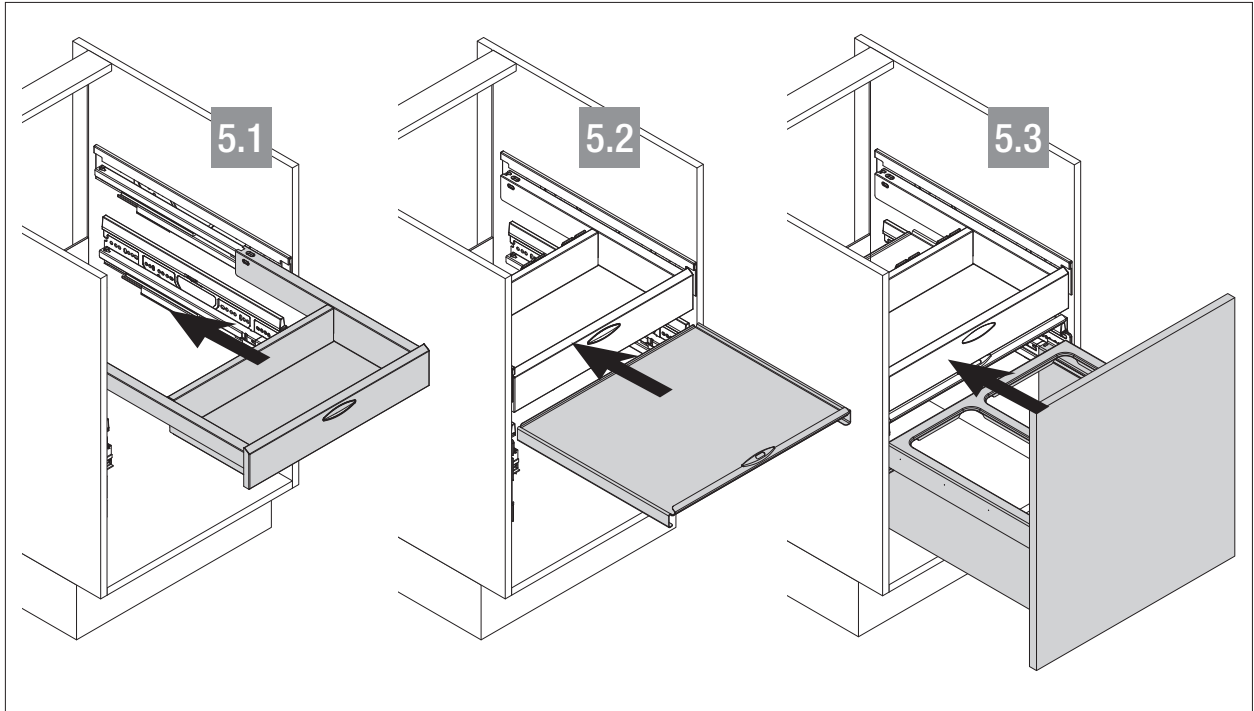
3



4



5



6

